

# Patents, Designs, and Trade Marks

## SUPPLEMENT

# NEW ZEALAND GAZETTE

TO THE

OF

THURSDAY, SEPTEMBER 21, 1911.

Published by Authority.

WELLINGTON, THURSDAY, SEPTEMBER 21, 1911.

### CONTENTS.

	Page
International and Intercolonial Arrangements for the Mutual Protection of Patents and Trade Marks ..	2871
Applications for Letters Patent filed ..	2872
Complete Specifications filed after Provisionals ..	2873
Complete Specifications accepted ..	2873
Provisional Specifications accepted ..	2877
Letters Patent sealed ..	2877
Letters Patent on which Fees have been paid ..	2877
Subsequent Proprietors of Letters Patent registered ..	2878
Notice of Request to amend Specification ..	2878
Application for Letters Patent withdrawn ..	2878
Applications for Letters Patent abandoned ..	2878
Applications for Letters Patent void ..	2879
Applications for Letters Patent lapsed ..	2879
Letters Patent void ..	2879
Alteration of Address of Proprietor of Letters Patent on Register ..	2879
Design expired ..	2879
Applications for Trade Marks filed ..	2879
Applications for Registration of Trade Marks ..	2880
Trade Marks registered ..	2883
Subsequent Proprietors of Trade Mark registered ..	2883
Trade Mark Renewal Fees paid ..	2883
Application for Restoration of Trade Marks to the Register ..	2883
Trade Marks removed from the Register ..	2883
Alteration of Address of Proprietor of Trade Mark on Register ..	2883
Applications for Trade Marks refused ..	2884
Applications for Trade Marks abandoned or refused ..	2884

International and Intercolonial Arrangements for the Mutual Protection of Patents and Trade Marks.

#### INTERNATIONAL CONVENTION.

**T**HE following countries now belong to the Convention :—

Australia.	Hungary.
Austria.	Italy.
Belgium.	Japan.
Brazil.	Mexico.
Ceylon.	New Zealand.
Cuba.	Norway.
Denmark and Faroe Islands.	Portugal, with the Azores and Madeira.
Dominican Republic.	Servia.
France, with Algeria and colonies.	Spain.
Germany.	Sweden.
Great Britain.	Switzerland.
Holland, with East Indian colonies, Curaçoa, and Surinam.*	Trinidad and Tobago.
	Tunis.
	United States of America.

\* Trade marks only.

Separate arrangements have been made between Australia and New Zealand.

Particulars of the Convention and of such arrangements may be seen in the following *Gazettes* :—

Notification of adhesion of New Zealand to the Convention, with text thereof (in English), in the *Gazette* of 26th November, 1891; notification of adherence of New Zealand to the Additional Act of the Convention, in *Patents Supplement to Gazette* No. 101, of the 16th November, 1905; Order in Council applying section 103 of the Imperial Act to New Zealand, in *Gazette* No. 27, of the 15th May, 1890; Orders in Council containing arrangements between Australia and New Zealand, in *Patent Supplements to the Gazette* Nos. 22, of the 9th March, 1905, and 38, of the 20th April, 1905.

## Applications for Letters Patent filed.

LIST of applications for Letters Patent filed. (Where a complete specification accompanies an application an asterisk is affixed; in all other cases a provisional specification has been lodged. In all cases where the applicant is not the inventor the name of the latter appears in italics in brackets. † Denotes an application under the International and Intercolonial Arrangements.)

Bellingham, J., Wellington, N.Z. ( <i>Yowelle, T. I.</i> )	..	Building block and mould* ; 30131 ; 1st September.
Gibbs, A. J., Auckland, N.Z.	..	Button ; 30132 ; 30th August.
Joyce, A. J., Nelson, N.Z. ( <i>Panckhurst, D.</i> )	..	Chimney-flue ; 30133 ; 1st September.
Bristow, C., Christchurch, N.Z.	..	Correspondence-sealing ; 30134 ; 1st September.
Ziele, O. W., Christchurch, N.Z.	..	Boot-polish-tin holder ; 30135 ; 31st August.
Courtney, W. J., Christchurch, N.Z.	..	Pneumatic-tire cover ; 30136 ; 31st August.
Vibrocal Company, Limited, London, Eng. ( <i>Lynde, F. G., and Calthrop, E. R.</i> )	..	Concrete sea-wall, &c., construction* ; 30137 ; 31st August.
Matthews, K., New Plymouth, N.Z.	..	Kitchen-iron rest ; 30139 ; 2nd September.
Horton, A., Timatangi, N.Z.	..	Floor, &c., cramp ; 30139 ; 2nd September.
Connolly, J. J., Auckland, N.Z.	..	Sling-hook ; 30140 ; 2nd September.
Jakeman, W. D., Huntly, N.Z.	..	Concrete fencing-post ; 30141 ; 2nd September.
Geary, A. H., Huntly, N.Z.	..	Concrete fencing-post ; 30141 ; 2nd September.
Porch, W., Auckland, N.Z.	..	Fencing-batten ; 30142 ; 1st September.
Livingston, G., Christchurch, N.Z.	..	Sales-recorder ; 30143 ; 1st September.
Scott, E. H., Christchurch, N.Z.	..	Illuminated sign ; 30144 ; 2nd September.
Scott, H., Christchurch, N.Z.	..	Illuminated sign ; 30144 ; 2nd September.
Johns, H., Christchurch, N.Z.	..	Boot-polishing appliance ; 30145 ; 2nd September.
Butcher, H., Dunedin, N.Z.	..	Mud-cart lifting-gear ; 30146 ; 1st September.
Ponten, A., Berkeley, U.S.A.	..	Sluicing-apparatus ; 30147* ; 1st September.
Dixon, J., Prahra, Vic. ( <i>Soda Stream, Limited</i> )	..	Aerating-liquid machine ; 30148 ; 1st September.
O'Neill, J., Greymouth, N.Z.	..	Saw-bench return-feed ; 30149 ; 1st September.
Asbestos Sheet and Plaster Company Proprietary, Limited, Melbourne, Vic. ( <i>Hosegood, G.</i> )	..	Composition of matter ; 30150 ; 4th September.
Roberts, W. F., Adelaide, S. Aust.	..	Sanitary pan cover* ; 30151 ; 4th September.
Courlander, L., Croydon, Eng.	..	Eye-glass, &c.* ; 30152 ; 4th September.
Good, H., Whangarei, N.Z.	..	Gold-saving appliance ; 30153 ; 4th September.
Greig, H., Foxton, N.Z.	..	Flax-stripper* ; 30154 ; 4th September.
Falkinder, J. C., Takapau, N.Z.	..	Non-refillable bottle* ; 30155 ; 4th September.
Neville, H., Wellington, N.Z.	..	Electric cooker* ; 30156 ; 5th September.
Maddox, H. N., Wellington, N.Z.	..	Electric cooker* ; 30156 ; 5th September.
Richards, H. J., Christchurch, N.Z.	..	Vulcanizing plant ; 30157 ; 4th September.
Pyle, R. B., Christchurch, N.Z.	..	Vulcanizing plant ; 30157 ; 4th September.
MacLennan, K. G., Auckland, N.Z.	..	Dish-washing, &c., machine ; 30158 ; 5th September.
Wright, A. H., Auckland, N.Z.	..	Advertisement-display sheet ; 30159 ; 2nd September.
Goehler, M., Vancouver, Can.	..	Power-operated saw* ; 30160 ; 6th September.
Thomson, G. S., Dunedin, N.Z.	..	Ledger, &c.* ; 30161 ; 4th September.
Jamieson, W. M., Onehunga, N.Z.	..	Steam-valve ; 30162 ; 6th September.
Kirkwood, J. C. P., Wellington, N.Z.	..	Electric cooking* ; 30163 ; 6th September.
Fellows, G. R., Onehunga, N.Z.	..	Iron, &c., rust prevention ; 30164 ; 6th September.
Symons, A. T. G., Christchurch, N.Z.	..	Golf club caddy-bag ; 30165 ; 6th September.
Ponder, A. R., Christchurch, N.Z.	..	Forcing frame* ; 30166 ; 6th September.
Robinson, P., Foxton, N.Z.	..	Hot-bearing tell-tale and alarm ; 30167 ; 30th August.
Hynes, J. R., Foxton, N.Z.	..	Hot-bearing tell-tale and alarm ; 30167 ; 30th August.
Smith, A. H., Sydney, N.S.W. ( <i>The Domestic Vacuum Cleaner Company—Quist, F. J., and Blanch, M.</i> )	..	Vacuum sweeper ; 30168* ; 7th September.
Neville, H., Wellington, N.Z.	..	Invalid-chair and cycle-propulsion lever ; 30169 ; 7th September.
Maddox, H. N., Wellington, N.Z.	..	Invalid-chair and cycle-propulsion lever ; 30169 ; 7th September.
Ponninghaus, W. B. D., Prahra, Vic.	..	Liquid-flow float* ; 30170 ; 5th September.
Bell, L., Melbourne, Vic.	..	Crockery-cleansing machine ; 30171 ; 7th September.
Lloyd, A. G., Epsom, N.Z.	..	Milking-apparatus ; 30172 ; 7th September.
Bristow, C., Christchurch, N.Z.	..	Dairy-recorder ; 30173 ; 7th September.
Moore, A. R., Matiere, N.Z.	..	Acetylene-generator ; 30174 ; 7th September.
Wills, T., Matiere, N.Z.	..	Acetylene-generator ; 30174 ; 7th September.
Graff, F., Witten, Ger.	..	Cheese-cutter ; 30175 ; 7th September.
John Burns Electro Plate Company, Limited, Wellington, N.Z. ( <i>Barton, W. M.</i> )	..	Manuscript-holder for typewriter* ; 30176 ; 7th September.
Diprose, T., Auckland, N.Z.	..	Hygienic belt ; 30177 ; 7th September.
Diprose, J., Auckland, N.Z.	..	Hygienic belt ; 30177 ; 7th September.
Fear, J., Hastings, N.Z.	..	Closest-flush ; 30178 ; 7th September.
Fear, A., Hastings, N.Z.	..	Closest-flush ; 30178 ; 7th September.
Gow, G. D., Auckland, N.Z.	..	Spark-arrester ; 30179 ; 6th September.
Normanby, A. M., Waimate, N.Z.	..	Vehicle-brake ; 30180 ; 7th September.
McPhail, A. G., Invercargill, N.Z.	..	Riding-saddle mounting-attachment ; 30181 ; 5th September.
Grosser, P. A., Magnet, Tas.	..	Chute cut-off* ; 30182 ; 7th September.
Joseph, L., Sydney, N.S.W.	..	Bedstead* ; 30183 ; 13th September, 1910.†
Claydon, G., Christchurch, N.Z.	..	Flax-stripper* ; 30184 ; 11th September.
Maude, T., Christchurch, N.Z.	..	Flax-stripper* ; 30184 ; 11th September.
Hill, J. A., Sheffield, Eng. ( <i>Notter, E. F. S.</i> )	..	Spark-arrester* ; 30185 ; 11th September.
Skinner, W. W., Wanganui, N.Z.	..	Metal, &c., working appliance ; 30186 ; 11th September.
Suttie, C., Waiarua, N.Z.	..	Flax-catcher ; 30187 ; 11th September.
Wynyard, M. H., Auckland, N.Z.	..	Flax-catcher ; 30187 ; 11th September.
Brown, F. J., Eltham, N.Z.	..	Spanner ; 30188 ; 11th September.
Geddes, F., Waihao Downs, N.Z.	..	Vessel steering and propelling ; 30189 ; 9th September.
Palmer, F. S., Hawera, N.Z.	..	Bread-renewer ; 30190 ; 12th September.
Moss, E., Christchurch, N.Z.	..	Thermostat ; 30191 ; 11th September.
United Shoe Machinery Company, Paterson, U.S.A. ( <i>Prenzel, A. H.</i> )	..	Boot and shoe manufacture ; 30192 ; 12th September.
Busb, A. F., Picton, N.Z.	..	Concrete-mould clamp ; 30193 ; 12th September.
Kahn, M., London, Eng.	..	Concrete-pile shoe* ; 30194 ; 30th September, 1910.†
Mackinney, V. H., London, Eng.	..	Illuminating-method* ; 30195 ; 12th September.
Chalmers, S. D., London, Eng.	..	Illuminating-method* ; 30195 ; 12th September.
Sides, P. W., Little River, Vic.	..	Thresher-feed mechanism* ; 30196 ; 12th September.
Ansdell, F., Dunedin, N.Z.	..	Tramway-trolley ear ; 30197 ; 12th September.

Seale, G. E. D., Kumara, N.Z. .. .. .	Boring-pipe, &c., extraction; 30198; 13th September.
Simpson, H., Auckland, N.Z. .. .. .	Toaster; 30199; 11th September.
Fairburn, A., Auckland, N.Z. .. .. .	Fireless cooker*; 30200; 11th September.
Pearson, J., Stafford, N.Z. .. .. .	Sewer, &c., lining; 30201; 13th September.
Thompson, H. A., Hokitika, N.Z. .. .. .	Sewer, &c., lining; 30201; 13th September.
Australian Wood Pipe Company, Limited, Balmain, N.S.W. (Burnett, F. T., and McDonald, A. G.)	Wood-stave pipe; 30202; 13th September.
Allard, W. B., Fitzroy, Vic. .. .. .	Wire-strainer; 30203; 13th September.
Loundar, M. F., Sydney, N.S.W. .. .. .	Shelf-bracket*; 30204; 13th September.
Loundar, G. F., Sydney, N.S.W. .. .. .	Shelf-bracket*; 30204; 13th September.
Loundar, W. F., Sydney, N.S.W. .. .. .	Shelf-bracket*; 30204; 13th September.
Green, C. A., Sydney, N.S.W. .. .. .	Tea-packing machine*; 30205; 13th September.
Morris, W., Sydney, N.S.W. .. .. .	Tea-packing machine*; 30205; 13th September.
Green, C. A., Sydney, N.S.W. .. .. .	Electric trolley ear*; 30206; 13th September.
Kerby, F., Sydney, N.S.W. .. .. .	Belt-fastener*; 30207; 13th September, 1910.†
Gilberthorpe, G. L., Sydney, N.S.W. .. .. .	Gate*; 30208; 13th September.
Marshall, H. C., Sydney, N.S.W. .. .. .	Gate*; 30208; 13th September.
Dermiss, J., Sydney, N.S.W. .. .. .	Vacuum chamber*; 30209; 13th September.
Fidler, W. L., Sydney, N.S.W. .. .. .	Vacuum chamber*; 30209; 13th September.
Peat Coal Investment Company, Limited, London, Eng. (Rigby, T.)	Peat-gatherer, &c.*; 30210; 12th September.
McCay, C. E., Essendon, Vic. .. .. .	Cargo, &c., raising*; 30211; 13th September.
O'Hara, E. M., Gore, N.Z. .. .. .	Hatpin; 30212; 13th September.
Hele-Shaw, H. S., London, Eng. .. .. .	Hydraulic transmission*; 30213; 14th September.
Martineau, F. L., London, Eng. .. .. .	Hydraulic transmission*; 30213; 14th September.
Wright, A. H., Wellington, N.Z. .. .. .	Advertisement-display; 30214; 14th September.
Chennells, G. E., Hastings, N.Z. .. .. .	Curtain ring and clip; 30215; 14th September.
Henry, J., Annat, N.Z. .. .. .	Scoop; 30216; 13th September.
Pape, H., Billwarder, Ger. .. .. .	Zinc-desulphurization*; 30217; 14th September.
Hayman, J. E., Timaru, N.Z. .. .. .	Wind-screen; 30218; 9th September.
Hassall, W., Christchurch, N.Z. .. .. .	Wool-bale sewing; 30219; 14th September.

**Complete Specifications filed after Provisionals.**

LIST of complete specifications filed after provisional specifications from the 1st to the 14th September, 1911, inclusive:—

- No. 28712.—A. W. Reid, teat-cup.
- No. 28823.—C. W. Martin, electric oven.
- No. 28835.—H. V. Johansen, lift-guard.
- No. 28856.—H. G. Kettle, milking-machine pipe.
- No. 28862.—W. Wilkinson, axle.
- No. 28930.—United Shoe Machinery Company, conforming upper to last. (A. Bates.)
- No. 28944.—United Shoe Machinery Company, heeling-machine. (L. L. Glidden.)
- No. 29017.—United Shoe Machinery Company, rounding-machine. (F. H. Perry.)
- No. 29018.—United Shoe Machinery Company, button-hole finishing-machine. (G. S. Hill.)

**Notice of Acceptance of Complete Specifications.**

Patent Office,  
Wellington, 20th September, 1911.

COMPLETE specifications relating to the undermentioned applications for Letters Patent have been accepted, and are open to public inspection at this office. Any person may, at any time within two months from the date of this *Gazette*, give me notice in writing of opposition to the grant of any such patent. Such notice must set forth the particular grounds of objection, and be in duplicate. A fee of 10s. is payable thereon.

The copies of claims and extracts from the specifications and drawings are merely intended to give some further indication of the invention than is disclosed in the title, and the complete specifications and drawings should be referred to for a description of the invention.

No. 27913.—17th June, 1910.—THE DOMINION PRESSURE MILKING MACHINE COMPANY, LIMITED, a company duly incorporated under the Companies Act of New Zealand, and having its registered office at Panama Street, Wellington, New Zealand (assignees of Robert Andrew Wiggins, of Wellington aforesaid, Engineer). Improvements in milking-machinery.\*

Claims.—(1.) In a teat-cup having a flexible inner lining and a rigid outer casing, effecting communication to the space between said lining and casing with air-pressure and vacuum alternately, substantially as set forth. (2.) In combination with a teat-cup having a flexible inner lining and rigid outer casing, of a valve operated to effect communication to the space between the said lining and casing with air-pressure and vacuum alternately, substantially as set forth.

(Specification, 3s.)

[NOTE.—Here follows one other claim.]

No. 28335.—25th August, 1910.—GEORGE PHILPOT and FREDERICK WILLIAM PHILPOT, both of Awarua Plains, New Zealand, Labourers. Improvements in stump-pulling apparatus.\*

Claim.—Improvements in stump-pulling apparatus comprising a lever pivoted on a spindle having two short arms, to each of which is connected a pawl adapted alternately to engage the teeth of a toothed wheel on the winding-drum, characterized by having springs for putting the pawls out of gear, substantially as described, and illustrated in the drawings, and in particular in Fig. 5 thereof.

(Specification, 3s. 3d.)

No. 28413.—8th December, 1909.†—JOSEPH ALEXANDER PANTON, of 42 Ashdale Road, Waterloo, Liverpool, Lancaster, England, Engineer. Improvements in or relating to brake-blocks for railway-cars and like vehicles.

Claim.—(1.) In a brake-shoe provided with a reinforced back, a pair of slots in the back, a key-lug formed of a separate strap bent into an inverted U shape, cotter-ways in the arms of the lug, and a cotter adapted to be passed into the said cotter-ways, the arms being passed through the said slots in the back far enough to give a passage-way for the cotter, which extends substantially the full width of back, while the lug is left projecting far enough on the other side to give a passage-way to the attaching-key. (Specification, 9s. 6d.)

[NOTE.—Here follow six other claims.]

No. 28442.—16th September, 1910.—JOHN MCKISSACH REID and WILLIAM WILLS, of Wellington, New Zealand, Salesmen. An improved fireplace.\*

Claims.—(1.) In an improved fireplace, a recessed hearth, substantially as and for the purpose specified, and illustrated in drawings. (2.) In an improved fireplace, a raised recessed hearth, substantially as and for the purpose specified, and illustrated in the drawings. (3.) In an improved fireplace with well, a hot-air channel, substantially as and for the purpose specified, and illustrated in drawings. (4.) In an improved fireplace with well, an upright removable ventilator, substantially as and for the purpose described, and illustrated in drawings.

(Specification, 2s.)

No. 28524.—30th September, 1910.—JAMES MUIR CAMERON, of Dunedin, New Zealand, Gentleman. Improved window-hanging and casement combination fittings.\*

Claim.—(1.) In an improved window-hanging and casement combination fitting, hinges having a slotted flange, pins attached to the side rail of a window-sash, a hinged bead, a fastening for said hinged bead, and fittings as cleats for attachment to the side rail and architrave of a window, substantially as described, and as illustrated in the drawings.

(Specification, 2s.)

[NOTE.—Here follows one other claim.]

No. 28528.—3rd October, 1910.—JOSEPH BELLVE, Carpenter, and THOMAS WILSON POTTS, Draper, both of Dunedin, New Zealand. Improvements in or relating to tramway-track points.\*

*Extract from Specification.*—The invention consists, broadly, in the combination with a point having the usual tongue pivoted to move horizontally, of a lever or levers connected with the tongue and adapted to be rocked by a rod depending from the ear and thus to move the tongue.

(Specification, 6s. 6d.)

[NOTE.—The above extract from the specification is inserted in place of the claims.]

No. 28530.—4th October, 1910.—THOMAS BALFOUR, of Onga Onga, New Zealand, Farmer. Improvements in potato-planters.\*

*Claim.*—(1.) In potato-planters of the class described, the combination with the elevator passing up through the hopper and down upon the outside thereof, of a chute extending down on the outside of the hopper, through which the elevator travels, and formed to closely encircle such portion of the elevator, substantially as and for the purposes specified. (Specification, 3s.)

[NOTE.—Here follows one other claim.]

No. 28532.—16th February, 1910.†—OSBORNE ERNEST WILSON, of Meadow Bank, Kingston Road, Didsbury, near Manchester, Lancaster, England, Engineer. An improved construction of adjustable bonding-stirrup and tie-bar for use in reinforced concrete structures.

*Claim.*—(1.) An improved adjustable shear-member, comprising an adjustable bonding-stirrup and tie-bar formed by bending a metal rod or bar, of any suitable section, into a single loop round a reinforcing-bar or like member of any suitable section, and then welding together the contiguous portions to form the complete shear-member, which is secured in its position by a wedge or wedges, either with or without an intermediate piece or gib driven into the space between the loop and the reinforcing-bar. (Specification, 5s. 3d.)

[NOTE.—Here follows five other claims.]

No. 28575.—16th October, 1909.†—MATTHIAS BROCK, of 15 Woodville Street, Roxbury, in the County of Suffolk and Commonwealth of Massachusetts, United States of America, Machinist. Improvements in heel-lasting machines.

*Claims.*—(1.) A heel-lasting mechanism having, in combination, a heel-embracing band, means for advancing the band, and means for closing the band, having provision for equalizing the closing-pressure at the two ends of the band. (2.) A heel-lasting mechanism having, in combination, a heel-embracing band, and actuating-mechanism therefor, comprising endwise movable slide-bars, having oppositely arranged wedge-faces, abutments to be engaged by said faces to move the bars laterally as they are advanced, and a connection between the abutments arranged to permit them to move laterally together to equalize the band-closing pressure applied by said bars. (Specification, £1 7s. 6d.)

[NOTE.—Here follow forty-six other claims.]

No. 28625.—25th October, 1910.—UNITED SHOE MACHINERY COMPANY, of Paterson, in the State of New Jersey, United States of America, a corporation duly organized under the laws of said State of New Jersey, carrying on business as Shoe-machinery Manufacturers, and having a place of business at 205 Lincoln Street, Boston, in the Commonwealth of Massachusetts, in said United States of America (assignees of Eli Brothers, of Lynn, in the County of Essex and said Commonwealth of Massachusetts, Inventor). Improvements in or relating to machines for use in the manufacture of boots and shoes.\*

*Claims.*—(1.) A machine of the class described, having, in combination, means for positioning a shoe, a tacking-mechanism, between which and the shoe there is provision for relative movement toward and from tack-inserting relation, and means carried by the tacking-mechanism to support the shoe against displacement by force employed in the tacking operation. . . . (10.) A machine of the class described, having, in combination, an abutment for the last, grippers for pulling the upper, a tacking-mechanism movable over the shoe-bottom into position to fasten the upper under tension, and means yieldingly actuated by the tacking-mechanism into shoe-supporting position in advance of the tack-inserting operation. . . . (26.) A pulling-over machine having, in combination, tackers for fastening the upper at opposite sides of the shoe, last-supporters, a single means for moving the tackers and last-supporters into operative position, said means being constructed and arranged to hold the last-supporters firmly in last-sustaining position until the complete insertion of the tacks at both sides of the shoe has been effected. (Specification, £1 4s. 6d.)

[NOTE.—Here follow five other claims.]

No. 28662.—2nd November, 1910.—JOSEPH DAWSON, of Hukanui, New Zealand, Bridge-builder. Improvements in suspension bridges.\*

*Claims.*—(1.) In suspension bridges, supports for the suspending-cables, consisting of a series of three wheels for each cable, arranged on the top end of the main pillar beneath

the cable, and having the central wheel at a higher level than the other two, substantially as and for the purposes set forth. (2.) In suspension bridges, sides for the bridge, formed of double parallel chords at the top and bottom, fastened to the girders, and connected together by vertical and diagonal trusses joining the respective inner and outer members of both chords, and having the two members of the upper chord braced and stayed by transverse and diagonal stays, in combination with suspension-rods extending down between the double sides and attached to the girders below, substantially as and for the purposes specified. (3.) In suspension bridges, transverse girders arranged in pairs, with those of each pair fastened together with a space between, and suspending-rods fastened to the cables and passing down through the spaces between the girder-pairs and through plates underlying the girders, substantially as and for the purposes specified. (Specification, 7s. 6d.)

[NOTE.—Here follow two other claims.]

No. 28673.—3rd November, 1910.—HINRICH VOSS, of Willowbridge, near Waimate, New Zealand, Farmer. Improved means for automatically controlling windmills.\*

*Claim.*—(1.) In means for the purpose specified, the combination with a windmill, of a water-tank adapted to be supplied by such windmill, a lever pivoted upon the windmill, a float arranged within the tank and suspended on one end of the lever, and connections extending between the other end of the lever and the windmill-gearing, substantially as specified. (Specification, 2s. 6d.)

[NOTE.—Here follows one other claim.]

No. 28707.—10th November, 1910.—UNITED SHOE MACHINERY COMPANY, of Paterson, in the State of New Jersey, United States of America, a corporation duly organized under the laws of said State of New Jersey, carrying on business as Shoe-machinery Manufacturers, and having a place of business at 205 Lincoln Street, Boston, in the Commonwealth of Massachusetts, in said United States of America (assignees of Louis Amedee Casgrain, of Beverly, in the County of Essex and said Commonwealth of Massachusetts, Inventor). Improvements in or relating to fastener-inserting or analogous machines.\*

*Claims.*—(1.) For a fastener-inserting or like machine having mechanism adapted to repeat continuously an operation upon work fed past it, the provision of means which act upon the face of the work being treated, and which are controlled by a change of not less than a predetermined amount in the contour of the said face to effect automatic interruption of the action of the said mechanism. (2.) For a fastener-inserting or like machine having mechanism adapted to continuously repeat an operation upon work fed past it, and a device (for example, the spring 464) tending normally to stop the action of the said mechanism, the provision of means (for example, the catch 450), supported by the face of the work being treated, to prevent the operation of said device until a change of not less than a predetermined amount occurs in the contour of the said face. (Specification, £1.)

[NOTE.—Here follow four other claims.]

No. 28710.—10th November, 1910.—UNITED SHOE MACHINERY COMPANY, of Paterson, in the State of New Jersey, United States of America, a corporation duly organized under the laws of said State of New Jersey, carrying on business as Shoe-machinery Manufacturers, and having a place of business at 205 Lincoln Street, Boston, in the Commonwealth of Massachusetts, in said United States of America (assignees of George Goddu, of Winchester, in said Commonwealth of Massachusetts, Inventor). Improvements in or relating to machines for inserting fasteners or the like.\*

*Claim.*—(1.) For a fastener-inserting or like machine having a work-support, means comprising a lever made in a plurality of relatively movable parts to move the work-support between work-clamping and work-feeding positions, and other means (for example, 476, 482) to permit relative movement of the parts of the lever to move the work-support between work-feeding and work-removing positions, the provision of mechanism (for example, 478, 480) whereby the operation of the starting-treadle actuates the said other means to move the work-support from work-receiving position to work-feeding position before it throws the clutch into operation. (Specification, 16s. 3d.)

[NOTE.—Here follow four other claims.]

No. 28734.—15th November, 1910.—FRANCIS ROBERTS, of Kimberley Road, Epsom, Auckland, New Zealand, Engineer-driver. Improvements relating to tablet-changing apparatus for railways.\*

*Extract from Specification.*—According hereto, an arm carrying the exchanger-spear is adapted to normally lie alongside the cab with the exchanger-spear parallel therewith. When required for use a slight push extends the arm at right angles to the cab, while when the spear strikes the tablet in the act

of collecting it, the shock is sufficient to turn the arm or to release it from a catch whereby it may be turned by a spring or the like, so that it again lies parallel with the side of the engine. (Specification, 6s. 6d.)

[NOTE.—The above extract from the specification is inserted in place of the claims.]

No. 28978.—11th January, 1911.—LANGLEY SHAW, of 5 Bond Street, Sydney, New South Wales, Australia, Wool Expert. A scientific cleansing-preparation for wool-scouring and other industrial purposes.\*

*Claim.*—(1.) A compound of the class and for the purposes stated, consisting of the mechanical combination of silicate of alumina, sodium-borate, sodium-carbonate or its equivalent, sodium-stearate or its equivalent, and quillaia saponaria, in or about the proportions set forth. (Specification, 11s. 6d.)

[NOTE.—Here follow two other claims.]

No. 28981.—11th January, 1911.—CHARLES ALBERT OLD-MAN, of Waiiau, Canterbury, New Zealand, Blacksmith. An improved expansive dummy for beehives.\*

*Claim.*—(1.) A device of the character indicated, comprising a plurality of rectangular sections adapted to slide one within the other so as to vary the space occupied as required, substantially as and for the purpose set forth. (Specification, 2s.)

[NOTE.—Here follows one other claim.]

No. 29325.—27th March, 1911.—JOHN WILSON TONG, of Hawera, New Zealand, Contractor. Improvements relating to apparatus for mixing concrete.\*

*Claims.*—(1.) Apparatus for mixing concrete comprising the parts constructed, arranged, combined, and operating substantially as specified. (2.) In apparatus for the purpose indicated, the combination with the cylinder, of stirring and mixing blades, arranged diagonally in rows, and the horizontal discharge-blades, substantially as specified, and illustrated in the drawings. (3.) The combination with the parts set forth in claim (2), of the pivoted shoot by which the material is discharged, substantially as described, and illustrated in the drawings. (4.) In apparatus for the purpose indicated, a gauge-box pivoted near its middle, provided with means for retaining it while being filled, and with a suspended door which is opened when the box is tipped, substantially as specified, and illustrated in the drawings. (Specification, 4s.)

No. 29812.—7th July, 1910.†—JAMES CARR, of Grenfell Street, Adelaide, South Australia, Wood-merchant. An improved casing and cover for use in burning charcoal.

*Claims.*—(1.) An improved casing and cover for use in burning charcoal, consisting of or comprising an outer and an inner wall of thin sheet metal, said walls being joined together so as to leave a space between said outer and inner wall. (2.) In an improved casing and cover for use in burning charcoal wherein an outer and an inner wall is used, a channel-iron base-ring for affording strength and stability to the bottom portion or base of the appliance. (3.) In an improved casing or cover for use in burning charcoal, a series of corrugated chunk-blocks arranged at suitable intervals for maintaining the space between the outer and the inner walls. (Specification, 6s. 6d.)

[NOTE.—Here follow five other claims.]

No. 29827.—6th July, 1911.—JOHN SUTHERLAND DE MONTALK, of Victoria Street, Hamilton, New Zealand, Ironmonger. An improved hanger-hook.

*Claim.*—(1.) An "S" hook having an integrally formed loop adapted to be engaged by a pole-hook, substantially as and for the purpose specified and illustrated. (Specification, 2s. 6d.)

[NOTE.—Here follows one other claim.]

No. 29833.—7th July, 1911.—ANDREW MCLEOD, of Auckland, New Zealand, Engineer. Improved lamp for burning oils, fat, tar, kauri-gum, and like fuel.

*Claims.*—(1.) An improved lamp for burning fat, oils, tar, kauri-gum, and like fuel, consisting of a body having its top or crown made separate therefrom and adapted to fit inside said body and be supported in position by legs or projections formed on said top or crown, in which are also provided air-inlet holes, and a central opening over which a chimney or funnel is placed, in the manner and for the purpose set forth, as described and illustrated. (2.) The adaptation, arrangement, and combination of the various parts composing my invention, in the manner and for the purpose set forth. (Specification, 2s. 6d.)

No. 29836.—7th July, 1911.—ALFRED PRIOR and RICHARD WILLIAM BRICKELL, both of Dunedin, New Zealand, Card-board-box Manufacturers. Improvements relating to boxes.

*Claims.*—(1.) In a box of the kind described, attaching and hinging the lid by means of a folded strip of linen or the like secured by staples or the like along the fold to the edge of the box, the strip being folded over and glued, portion on each side of the edge of the lid, the heads of the staples or the like lying inside the fold, substantially as described. (2.) The improvements in boxes substantially as described, and illustrated in the drawings. (Specification, 3s.)

No. 29841.—8th July, 1911.—WILLIAM HENRY QUAIL, of the Village of Claresholm, County of MacLeod, Alberta, Canada. Improvements in nose-protectors for animals.

*Extract from Specification.*—Consists essentially in a protector having the body-portion thereof formed from woven wire of comparatively close mesh, the body-portion being shaped to pass around and partially close in the animals nose, said body-portion being carried by a strong wire frame, and means for releasably securing the protector to the bridle or halter of the animal. (Specification, 6s. 3d.)

[NOTE.—The above extract from the specification is inserted in place of the claims.]

No. 29842.—11th July, 1911.—THOMAS THOMSON, of Westlea, Barrhead, Renfrew, Scotland, Manufacturer. A compound for use as a substitute for boiled linseed-oil and the like in varnishes, paints, waterproof-compositions, linoleums, and the like.

*Extract from Specification.*—The essential ingredients of the improved compound are those drying oils known as "Tung" oil and boiled soya-bean oil. There is used in combination with these as a diluent or modifier of their hardness a non-drying oil, such as fish or rape oil, and there may be finally incorporated a gum or colloid, such as gum, tragacanth, or glue, in aqueous solution, the colloid being added partly as a diluent for cheapness sake and partly for its effect in preventing greasiness of surface. (Specification, 2s.)

[NOTE.—The above extract from the specification is inserted in place of the claims.]

No. 29844.—11th July, 1911.—EDWARD THOMAS EVERTON, of Highgate Works, Leopold Street, Birmingham, England, Managing Director of Everton and Wilson, Limited. Improvements in and connected with steam cookers.

*Claim.*—(1.) A steam cooker of the type referred to, furnished with one or more shallow independent removable trays, adapted to fit within and between the adjacent steamers and within and between the boiler and the steamer immediately above it, each of said trays being adapted to permit the steam from the boiler passing therethrough to the steamer or steamers, and to catch and hold moisture running therein through the perforated bottom of the steamer immediately above it, substantially as set forth. (Specification, 5s.)

[NOTE.—Here follows one other claim.]

No. 29854.—12th July, 1911.—LAMSON STORE SERVICE COMPANY, LIMITED, a registered company of Great Britain, carrying on business at No. 20 Cheapside, London, England, and at No. 222 Clarence Street, Sydney, New South Wales, Australia (assignees of Henry James Fawcett, of Norwood Shoobera Road, Elsternwick, Victoria, Australia, Electrician). A pneumatic dust-extractor for use in connection with pneumatic cash systems.

*Claim.*—(1.) Improved combined pneumatic cash-carrier and dust-extractor, comprising a system of vacuum or suction pipes operatable in a cash-carrier system having plugs or cocks or the like, and a pneumatic dust extractor or extractors (or air-screening chambers) having flexible pipe or hoses adapted to be connected to said plugs or cocks or the like, substantially as described and explained. (Specification, 7s.)

[NOTE.—Here follow four other claims.]

No. 29867.—14th July, 1911.—THOMAS WALTER RYAN, of 193 Sparks Street, Ottawa, Ontario, Canada. Improvements in rifle-buckets.

*Claim.*—(1.) A rifle-bucket supported by slings from a saddle and extending beneath the stirrup thereof. (Specification, 6s. 9d.)

[NOTE.—Here follow seven other claims.]

No. 29880.—22nd September, 1910.†—FRANK STAINES, of 38 Buckingham Palace Road, London, England, Caterer. An improved sink for washing crockery.

*Claim.*—(1.) In a device of the kind specified for washing and cleansing crockery, a rinsing-bath having means for heating same, and a water-supply, substantially as described. (Specification, 5s.)

[NOTE.—Here follow three other claims.]

No. 29881.—18th July, 1911.—FRANK STAINES, of 38 Buckingham Palace Road, London, England, Caterer. Improvements in and relating to devices for washing crockery and the like.

*Claim.*—(1.) In a washing-device of the kind specified, a washing-compartment, a rinsing-compartment, said compartments being separated by an intermediate compartment, an overflow from the rinsing and washing compartments into the intermediate compartment, and a second overflow from the washing-compartment into a fourth compartment, in communication with the drain, and a communication between the intermediate compartment and the said fourth compartment. (Specification, 8s.)

[NOTE.—Here follow five other claims.]

No. 29883.—18th July, 1911.—ROBERT CARLYLE CHILD, of 11 Queen Victoria Street, London E.C., England, Engineer. Improvements in the manufacture of printing-ink and the like.

*Claim.*—(1.) A printing-ink consisting of the mixture of a tarry body having a considerable percentage of pitch in its composition, with powdered shale, or/and anthracite coal, substantially as described. (Specification, 2s. 6d.)

[NOTE.—Here follows one other claim.]

No. 29888.—15th September, 1910.†—LACHLAN MCLEAN, of Boona West, Condobolin, New South Wales, Australia, Sheep-farmer. An improved compound for application to animals as a protection against insect pests, as a healing-agent in cases of fly-blow, and as a destructive agent of larvæ and the like.

*Extract from Specification.*—The essential base of the preparation is a chemical combination of one of the group of halogen elements with formyl or methane, such compound being used in further combination with a siliceous detergent earth and/or a poisonous agent, and/or a colouring-substance accentuating its repellent power. (Specification, 5s.)

[NOTE.—The above extract from the specification is inserted in place of the claims.]

No. 29891.—20th July, 1911.—JAMES HENRY FRASER, of Youanmite, Victoria, Australia, Farmer. Cultivator-attachment for seed-drills and the like.

*Claim.*—(1.) An improved cultivator-attachment for seed and fertilizer drills, comprising a tine-carrying rod supported parallelly with the grain-box in bearings secured to the machine-frame, tines secured to the said rod, and means as a weight or weights by which an adjustable downward pressure on the said tines is exerted, as and for the purposes specified. (Specification, 5s. 6d.)

[NOTE.—Here follow four other claims.]

No. 29892.—23rd July, 1910.†—EDWARD WALL, of Post-office, Teesdale, Victoria, Australia, Farmer. An improved potato-planter.

*Claims.*—(1.) In an improved potato-planter, a rotating disc, a series of sliding needle-bars carried by said disc, a needle carried by each bar and adjustable in its relationship thereto. (2.) In an improved potato-planter, a rotating disc, a series of slideways attached to said disc, a sliding needle-bar accommodated by each slideway, a needle-holder carried by each bar and adjustable therewith, a needle carried by each holder and adjustable therewith. (Specification, 6s. 3d.)

[NOTE.—Here follow three other claims.]

No. 29901.—21st July, 1911.—JAMES SAMUEL TONKIN, of Charles Street, Westshore, Hawke's Bay, New Zealand, Engineer. Improvements in kettles, urns, and the like.

*Claims.*—(1.) A vessel for heating liquids having flues extending from the top to the bottom, the said flues being narrow and of considerable length, with gaps for the circulation of the liquid, as set forth. (Specification, 2s. 6d.)

[NOTE.—Here follow three other claims.]

No. 29910.—21st July, 1911.—ADONIS GEORGE EDWARD LOWMAN, of Winnipeg, Manitoba, Canada. Improvements in ear-plates.

*Claim.*—(1.) An ear-plate having a body-portion shaped to receive the lobe of the ear, as and for the purpose specified. (Specification, 11s.)

[NOTE.—Here follow seventeen other claims.]

No. 29915.—24th July, 1911.—FREDERICK WHILEY, of Palmerston North, New Zealand. Improvements in milking-machine teat-cups.

*Extract from Specification.*—The invention consists, broadly, in forming the cap around the mouthpiece opening therein, with a number of small apertures, and in placing a flat annular

ring of metal between the cap and the top of the cup. This ring is also formed with a number of small apertures in it, so arranged as to be in a circular line coincident with the apertures in the cap. (Specification, 6s. 3d.)

[NOTE.—The above extract from the specification is inserted in place of the claims.]

No. 29917.—25th July, 1911.—THE MILLS EQUIPMENT COMPANY, LIMITED, of 72 Victoria Street, Westminster, London, England, Manufacturers (assignees of William Pierrepont Wise, Managing Director of the said company). Improvements in or relating to military equipments.

*Claim.*—(1.) In a military equipment of the kind described, the combination with a belt having one or more rows, of loops, open at each end, woven on the inner face thereof, adapted to be engaged by C-shaped members on the cartridge-carriers, and by an attachment-member on the end of the belt to adjust the length of the latter, and sling-members having a narrow portion consisting of two or more interwoven plies and a wide shoulder-portion formed of a single ply, as set forth. (Specification, 6s. 3d.)

[NOTE.—Here follows one other claim.]

No. 29918.—25th July, 1911.—W. R. SYKES INTERLOCKING SIGNAL COMPANY, LIMITED, and S. W. REUBEN WILLIAM TARRANT, Electrical Engineer, both of 26 Voltaire Road, Clapham, London S.W., England, and MCKENZIE AND HOLLAND, LIMITED, of 58 Victoria Street, Westminster, London S.W. aforesaid, and Melbourne, Victoria, Australia, Railway-signal Engineers. Improvements in locking-mechanism.

*Claims.*—(1.) In locking-mechanism of the kind specified, mounting the segmental or sector-shaped blocks upon knife-edges within a cavity whose curved surfaces are struck to a greater radius than that of the peripheral faces of the blocks themselves, substantially as and for the purpose set forth. (2.) The combination with locking-mechanism of the kind specified, of a spring-pressed latch for automatically retaining the movable stop when brought to the inoperative position, and a cam device for causing the subsequent retraction of the bolt to bring about automatically the withdrawal of said latch, so as to permit of the stop reassuming its operative position, substantially as and for the purpose set forth. (Specification, 15s.)

[NOTE.—Here follow three other claims.]

No. 29920.—24th July, 1911.—ALFRED THOMPSON, of Auckland, New Zealand, Manufacturer. Improvements in the springs of perambulators, go-carts, and the like.

*Claim.*—(1.) In improvements in the springs of perambulators, go-carts, and the like, the under-part of the spring shaped at both ends at a distance from the centre to curve downwards, under, up, and over the back and front axes respectively, and be secured thereto through the flat portions on the said ends of the under-part, in the manner and for the purpose set forth, as described and illustrated. (Specification, 2s. 9d.)

[NOTE.—Here follows one other claim.]

No. 29925.—22nd July, 1911.—FREDERICK WILLIAM NEWMAN, of 6 Garfield Road, Lavender Hill, Clapham, London, England, Gas Engineer, and WALTER VINCENT HENDERSON, of 160 Howard Road, Church Hill, Walthamstow, Essex, England, Gas Engineer. Improvements in petrol-gas and the like generating apparatus.

*Claim.*—(1.) In a petrol-gas or like generator in which measured quantities of petrol are discharged into the carburettor by means of a hollow radial arm fitted with a scoop and revolving in a vessel containing petrol, adapting the arm as it emerges from the petrol to drain into the container so as to return any petrol which may have entered it during its passage through the petrol, and adapting the scoop to retain its contents until such draining has been effected, and then, as the arm reaches a suitable position, to discharge its contents into the arm, thence to the carburettor, substantially as and for the purpose set forth. (Specification, 9s.)

[NOTE.—Here follow six other claims.]

No. 29928.—27th July, 1911.—SVEND HARTMANN, of "The Rialto," Collins Street, Melbourne, Victoria, Australia, Manager. Improvements in and connected with combined churn and butter worker.

*Claim.*—(1.) In a combined churn and butter worker, the employment in the interior of the churn of one or more gratings or the like formations to form a partial catchment for the contents of the churn as such fall from the worker, and also to provide a space between the floor of the churn and the under-portion of said grating or like formation, substantially as and for the purposes set forth. (Specification, 5s.)

[NOTE.—Here follow three other claims.]

No. 29930.—27th July, 1911.—ROBERT DOUGLAS, of Woodstock West, via Maldon, Victoria, Australia, Farmer. Improvements in tines and clips for points of scarifiers and like cultivating-implements.

*Extract from Specification.*—The improved means consists in the use of a wedge-bolt passing through a hole in the tine and through a plurality of holes in a forked spring clip which fits into the channel at each side of the tine, which is of H section, and usually of steel, so as to be proof against bending or breakage, to which some scarifier-tines made in one piece with the point are liable. (Specification, 5s.)

[NOTE.—The above extract from the specification is inserted in place of the claims.]

No. 29932.—24th July, 1911.—MATTHEW CARSON, jun., of Kaitangata, Storekeeper, and EDWIN BAXTER HARDIE, of Wangaloa, Farm-manager, both of New Zealand. Improved cutting and sharpening appliances for such as lead or slate pencils.

*Extract from Specification.*—A hard metal-toothed surface, either flat or grooved, and also a slight modification where the said teeth are arranged in a hollow cone which forms the cutter. (Specification, 2s. 6d.)

[NOTE.—The above extract from the specification is inserted in place of the claims.]

No. 29934.—28th July, 1911.—HENRY ALBERT MASON, of Lower Hutt, Wellington, New Zealand, Plumber. Improved apparatus for testing drains.

*Extract from Specification.*—Drawing the air through the burning material and then driving it through a pipe leading from the top of the apparatus into the drain to be tested. (Specification, 3s. 9d.)

[NOTE.—The above extract from the specification is inserted in place of the claims.]

No. 29936.—26th July, 1911.—HUGH LAING MAINLAND, of Dunedin, New Zealand, Mechanical Engineer. Improved animal-traps.

*Claim.*—(1.) In animal-traps, a toothed trap, having a spiral spring loosely coiled over its hinge-pin, said hinge-pin looped at the ends, the said spring capable of being altered as to the amount of tension without disconnecting the trap, with springing plates of unequal lengths over the said spring, and a running cord running in and out of the shoulders of the said jaws, being swivelly attached to a chain and peg, for the purpose of increasing the hold during struggling, all substantially as described and as explained, and as illustrated in the drawing. (Specification, 7s. 6d.)

[NOTE.—Here follow thirteen other claims.]

No. 29942.—31st July, 1911.—JOHN WILLIAM GODFREY BEATSON, of Heretonga, Ngatimote, Nelson, New Zealand, Farmer. An improved knock-down crate for packing fruit, butter, and the like.

*Extract from Specification.*—According hereto, the ends are made with sheet-metal flanges forming a groove with the end board, wherein the ends of the top and bottom are engaged. The sides also have metal flanges on their ends, the said flanges being pierced to pass upon staples driven into the ends. These said flanges are also slotted to admit a third staple or the like, to which a spring catch is attached. (Specification, 3s.)

[NOTE.—The above extract from the specification is inserted in place of the claims.]

Copies of drawings may be obtained at the uniform price of 1s. each. In exceptional cases this price may be increased at the discretion of the Office.

An asterisk (\*) denotes the complete specification of an invention for which a provisional specification has been already lodged. A dagger (†) denotes a prior date under the International and Intercolonial Arrangements.

NOTE.—The cost of copying the specification has been inserted after the notice of each application. An order for a copy or copies should be accompanied by a post-office order or postal note for the cost of copying.

The date of acceptance of each application is given after the number.

Extracts from the drawings accompanying the foregoing complete specifications appear at the end of this *Gazette*.

J. C. LEWIS,  
Registrar.

### Provisional Specifications accepted.

Patent Office,  
Wellington, 14th September, 1911.

APPLICATIONS for Letters Patent, with provisional specifications, have been accepted as under:—

- No. 29748.—United Shoe Machinery Company, sewing-machine. (F. Ashworth.)  
 No. 29765.—J. W. Thompson, butter-pat cutter.  
 No. 29828.—W. H. Parker, hair-pin.  
 No. 29857.—M. J. Brookes, booking ticket and plan.  
 No. 29864.—W. P. Lumby and C. F. Muntz, fire-lighter.  
 No. 29893.—H. G. Daikee, box-strap, &c.  
 No. 29908.—T. Foster, loose-leaf-ledger cover.  
 No. 29912.—J. J. Raynes, water-heater.  
 No. 29921.—E. J. Kee, swingletree.  
 No. 29924.—W. C. Reed, hatpin-guard.  
 No. 29939.—W. J. Branigan, spouting-bracket.  
 No. 29946.—W. Bailey, clean water securing.  
 No. 29950.—G. Joyne and L. E. Downey, clothes-hoist.  
 No. 29952.—W. C. R. Cantelin, water-wheel.  
 No. 29957.—H. H. Hinds, kapoc-scutter. (J. F. Wilson.)  
 No. 29958.—F. J. Stevenson, weed, &c., lifting machine.  
 No. 29959.—W. Moloney, fire-alarm.  
 No. 29960.—E. M. Clarke, cotton-supply to sewing-machine.  
 No. 29964.—J. Coombe, punch.  
 No. 29967.—G. F. Norton, casebolt lock and stay.  
 No. 29970.—A. R. Bannister and T. G. Johns, speed-gear.  
 No. 29992.—R. K. Wotton, clamp.  
 No. 30001.—H. Neville and H. N. Maddox, tongs.  
 No. 30007.—N. B. Levison, door, &c., latch.  
 No. 30008.—C. Chapman, aeroplane.  
 No. 30009.—D. S. Cochran and J. A. Webb, preventing cabin from rolling with vessel's motion.  
 No. 30010.—F. M. Wooller housewife's guide.  
 No. 30017.—D. Little, castrating-appliance.  
 No. 30019.—H. Edgar, lock.  
 No. 30022.—M. Wilkinson, playing-cards.  
 No. 30032.—N. Harvey and A. I. Grabham, electrical-energy controller.  
 No. 30037.—A. G. Jorgensen, hatpin-point protector.  
 No. 30039.—C. W. Brandon, transformer-switch.  
 No. 30052.—E. J. Barron, hatpin-point holder.  
 No. 30066.—B. Spight, brake.  
 No. 30073.—A. G. Jorgensen, hatpin-point protector.  
 No. 30085.—J. Taylor, airship.

[NOTE.—Provisional specifications cannot be inspected, or their contents made known by this office in any way, until the complete specifications in connection therewith have been accepted.]

### Letters Patent sealed.

LIST of Letters Patent sealed from the 1st to the 14th September, 1911, inclusive:—

- No. 27727.—J. G. Stewart, pipe-joint.  
 No. 27728.—Stewarts and Lloyds, Limited, and R. Ballantyne, branch-service connection for main pipes.  
 No. 27730.—F. A. Rich, stove-oven and water heater.  
 No. 27738.—R. T. Haines, fuel-economizer.  
 No. 27748.—J. Sharpe, sock t and screw plug.  
 No. 27869.—W. J. H. Greensill, preserving-jar.  
 No. 27898.—C. V. Woodfield, acetylene-generator.  
 No. 27954.—National Car Advertising Company, display device. (M. T. Ash.)  
 No. 28146.—L-B Manufacturing Company, cycle parcel-carrier. (H. G. Brott.)  
 No. 28963.—T. M. Sandiford, gas-lamp lighting, &c.

### Letters Patent on which Fees have been paid.

[NOTE.—The dates are those of the payments.]

#### SECOND-TERM FEES.

- No. 22945.—T. Parker, fuel. 19th June.  
 No. 23451.—C. Suttie and M. H. Wynyard, flax-catcher. 4th September.  
 No. 23452.—C. Suttie and M. H. Wynyard, flax-cleaner. 4th September.  
 No. 23453.—C. Suttie and M. H. Wynyard, flax-catcher operating. 4th September.  
 No. 23455.—The "Z" Electric Lamp Manufacturing Company, Limited, electric-lamp filament. ("Z" Electric Lamp Syndicate, Limited H. Zerning.) 1st September.  
 No. 23482.—J. H. Beamish, glass roofing. 14th September.  
 No. 23517.—R. M. Kemp, cultivator. 12th September.  
 No. 23518.—F. G. Cottrill, sulphuric acid. 5th September.  
 No. 23527.—Morgan and Company, Limited, and S. J. and J. M. Hale, and G. L. Burton, acetylene-generator.

No. 23605.—G. H. Fraser, crushing-machine. 13th September.

No. 23709.—E. J. Wood and G. Carson, axle-box. 13th September.

No. 23837.—Linotype and Machinery, Limited, typographic composing, &c., machine. (J. T. Hunter—C. A. Albrecht, F. Gantzler, C. W. Grasnick, F. J. Wich, J. E. Billington, C. Holliswell, J. H. Joy, and H. Pearce.) 13th September.

#### THIRD-TERM FEES.

No. 18463.—F. Casey and E. W. Hubbard, suction dredge, &c. 13th September.

No. 18503.—General Electric Company, filament. (W. R. Whitnev.) 12th September.

No. 18548.—E. C. E. Mills, P. Heyes, and W. J. Napier, postage-stamp vending-machine. (R. J. Dickie and J. H. Brown.) 2nd September.

No. 18878.—T. Edwards, ore-roaster. 7th September.

#### Subsequent Proprietors of Letters Patent registered.

[NOTE.—The name of the former proprietor is given in brackets; the date is that of registration.]

No. 16874.—George William Hudson, of Sydney, New South Wales, Australia, Timber-merchant. Mast, &c., turning machine. (W. H. Dunk.) 4th September, 1911.

No. 22741.—The Mayor, Councillors, and Citizens of the City of Auckland, New Zealand, lid for sanitary pans. (C. T. Haynes.) 8th September, 1911.

No. 23222.—Ernest John Patrick Brooks, Harry Wilkinson Brooks, and John McLachlan, carrying on business under the style or firm of "Henry Brooks and Co.," of 70 Bishopsgate Street Within, London, England, Merchants. Reinforced leaded lights. (G. R. Batham and J. H. Williams.) 13th September, 1911.

#### Notice of Request to amend Specification.

Patent Office,  
Wellington, 14th September, 1911.

REQUEST for leave to amend the undermentioned application for Letters Patent has been received, and is open to public inspection at this office. Any person may, at any time from one month from the date of this *Gazette*, give me notice in writing of opposition to the amendments. Such notice must set forth the particular grounds of objection, and be in duplicate. A fee of 10s. is payable thereon.

No. 28053.—T. Miller, steam-engine. (Advertised in Supplement to *New Zealand Gazette*, No. 77, of the 11th August, 1910.)

The nature of the proposed amendments is as follows:—

On page 2,—

To alter "seven" to "six," line 3.

To alter "a detail" to "an enlarged view," line 6.

To omit "Figure 1 showing," and insert instead "one of the," line 6.

To alter "valve" to "valves," and insert after "valve," shown in Figure 1, the hand-wheel being omitted," line 6.

To omit "as an enlarged view," lines 6 and 7.

To omit from "Figure 3" to "Figure 1," lines 8 and 9.

To alter "4" to "3," line 10; "5" to "4," line 11; "6" to "5," line 13; and "7" to "6," line 15.

To insert after "ball," line 11, the following: "and valve-chest, and shows the toucher attached to piston-ring for operating the valve-ball," and to omit "over and in contact with the ball-chest and toucher."

To insert "actuating" instead of "by which action," line 18, and "and one of the spindles D' which opens" instead of "is lifted whereby," line 18.

To omit "will open," and to insert "allow" instead of "allows," line 19.

To alter "this" to "The," line 20.

To alter "flange" to "inlet-pipe," line 21.

To alter "these" to "the," "valves" to "valve," and "are" to "is," line 23.

To omit the words "Because the free space" down to "condenser spaces K," lines 26 to 32.

To insert after "H," line 34, "which is in communication with the space *a* above the steam space *F*, by means of the three-way cock M<sup>2</sup> and horizontal passage J."

On page 3,—

To insert after "H," line 1, "the three-way cock M<sup>2</sup>."

To omit "free," and alter "a" to "F," line 1.

To insert "allowing" after "same," line 3.

To insert after "valve," line 4, "spring L to assert itself and push the," and to omit "before being pressed in by the lifted," line 4.

To omit "will release itself and push the valve," line 5.

To omit "and close," and insert instead "on to its seat and shut off the steam," line 6.

To insert "this expansion" instead of "which," line 8.

To insert "operating a pair" instead of "turning two," line 9.

To omit "M" and "besides," line 9, and to insert "M<sub>1</sub>, M<sub>2</sub>, M<sub>3</sub>" before "which," and "with the exception of" after "which," line 9.

To insert "N may be" instead of "two and two are," and "in pairs such as" after "together," line 10.

To alter "M" to "M<sub>2</sub>," lines 10 and 11.

To omit "can be used for both cylinder halves, these cocks M and N are to be turned by hand," lines 11, 12, and 13, and to insert instead "being adapted for use with either cylinder half."

To alter "6" to "5" and "7" to "6," line 17.

To insert "is of the same width" instead of "has the same surface," lines 18 and 19.

To omit "many," line 19.

To omit "steam," line 22.

To insert "has mounted at" instead of "it ends in," and "which gears with" instead of "which wheels R work on," line 23.

To insert "rings" instead of "springs," line 28.

To omit "through which its pressure arises," lines 30 and 31.

To insert "being" instead of "will be," line 31.

On page 4,—

To insert "in Figure 2" after "Z," line 3.

To insert after "valve C," line 5, "against the face *b* and shuts off the steam from the space *a* when the valve C is open."

To insert "are" instead of "is," and "rings" instead of "spring," line 6.

To insert "G" after "piston," and "hollow" before "spindle," and to omit "spring T," line 10.

To insert after "screwed down," line 11, the following paragraph: "the ports or spaces K shown in the drawing have no function in the working of the engine, being merely for the purpose of saving metal and weight in the casting."

To omit from "reversing the direction" down to "with this engine," lines 15, 16, 17.

To insert after "charge," line 19, "and can stop or start the engine almost instantaneously."

To insert after "Figure 2," line 24, "may be cast separate or in conjunction with the cylinder E, and may be placed at any angle or in any position found most convenient."

To omit from "being one piece" down to "Figure 2," lines 24 to 27.

To alter "springs" to "rings," line 33.

On page 5,—

To insert "inlet-pipe" instead of "flange," line 3.

To insert "vertical" after "valves," line 5.

To omit "condenser spaces," lines 5 and 6, and lines 24 and 25.

To substitute fresh drawings.

The applicant states, "My reason for making the amendments is to more clearly describe the invention."

J. C. LEWIS,  
Registrar.

#### Application for Letters Patent withdrawn.

THE following application for Letters Patent has been withdrawn:—

No. 28885.—J. Howcroft, road-vehicle axle-cap. (Advertised in Supplement to *New Zealand Gazette*, No. 2, of the 12th January, 1911.)

#### Applications for Letters Patent abandoned.

LIST of applications, with which provisional specifications only have been filed, abandoned (*i.e.*, complete specifications not lodged) from the 1st to the 14th September, 1911, inclusive:—

No. 23657.—L. G. Grace, power device.

No. 23658.—R. Burn, mail-bag, &c., seal.

No. 28665.—W. H. Carter, jun., water-colour painting, &c., process.

No. 28668.—W. Gower, aperture foresight.

No. 28669.—C. Re mann, door-check, &c.

No. 28670.—C. J. Sanderson, sash-raising, &c.

No. 28671.—W. F. Luetz, utilizing was a flax.

No. 28674.—G. Cruickshank, rabbit-trap chain.

No. 28678.—A. Mutch, horse attaching.

No. 28680.—W. B. Cameron and T. Yardley, milking-machine.

No. 28684.—F. R. McLean, turbine.



No. 28686.—E. Kofold, telephone-conversation indicator.  
 No. 28687.—T. H. Tidd, sub-oiler.  
 No. 28689.—W. P. Nolan, railway-ticket dater.  
 No. 28690.—S. J. Small and H. Kennedy, milk-cooler.  
 No. 28691.—R. T. Stewart, auriferous-material treatment.  
 No. 28696.—B. L. Somerfeld, cork-drawer.  
 No. 28713.—W. Clarke, sterilizer.  
 No. 28714.—A. H. Riley, billy-can.  
 No. 28719.—H. Metcalfe, nut-lock.  
 No. 28723.—J. M. Neal, boot-cleaning outfit.  
 No. 28725.—G. Brydon, sheep shears sharpener.  
 No. 28726.—T. N. Fletcher, target.  
 No. 28730.—W. C. S. Clydesdale, window-sash sustainer.  
 No. 28731.—E. Henshaw, window-washer.  
 No. 28737.—T. Maclean, door, &c., fastener.  
 No. 28738.—E. Moss, egg-parcelling.

#### Applications for Letters Patent void.

APPLICATIONS for Letters Patent, with which complete specifications have been lodged, void owing to non-acceptance of such complete specifications, from the 1st to the 14th September, 1911, inclusive:—

No. 27810.—W. Carr, acetylene-producer.  
 No. 27818.—The Harrison Printing Company, Limited, time-table. (M. R. Harrison.)  
 No. 27829.—J. Bate, H. F. McLeod, M. J. Connor, and M. H. Scott, gold-reparator.  
 No. 27835.—O. A. Jorgensen, casement-window fastener.  
 No. 27839.—W. H. J. Ridley and M. J. Connor, gold-extraction.  
 No. 27842.—E. Brock, dredge.  
 No. 27858.—F. Andrews, ear-mark.  
 No. 27861.—G. A. Watson, milk-strainer.  
 No. 27862.—A. Gray, letter-form.

#### Applications for Letters Patent lapsed.

APPLICATIONS for Letters Patent lapsed, owing to Letters Patent not being sealed, from the 1st to the 14th September, 1911, inclusive:—

No. 27380.—P. J. Griffin and T. P. Eustege, tea-can.  
 No. 27394.—S. Winn, white-lead pulverizer, &c.  
 No. 27406.—A. Costello, fishing-line.  
 No. 27416.—E. Hale, lamb-searing appliance.  
 No. 27420.—F. H. R. Neville and A. S. Pike, suction light-adaptor.

#### Letters Patent void.

LIST of Letters Patent void through non-payment of renewal fees, and through expiry of term of fourteen years, from the 1st to the 14th September, 1911, inclusive:—

No. 22937.—D. Mulcahy, sash-fastener. (L. Pearce.)  
 No. 22938.—G. Johnson and F. J. McLaren, razor safety-guard.  
 No. 22949.—A. E. Davis, R. Meyer, F. H. Medhurst, and J. E. Ferrar, transporting-apparatus for mines.  
 No. 22951.—Jute and Hanf Industrie Aktien-Gesellschaft, textile-fibre procuring. (G. G. Turri—F. Fuchs.)  
 No. 22954.—E. J. Keogh, carpet, &c., cleaner. (F. J. Corbett.)  
 No. 22958.—J. G. Maardt, beer-wort manufacture.  
 No. 22959.—A. Marino and E. W. Barton-Wright, electric accumulator.  
 No. 22963.—W. S. Gardner, boat, &c., keel.  
 No. 22966.—R. Glendining and G. Beaumont, loom.  
 No. 22971.—J. P. Belcher, hurdle.  
 No. 22974.—A. and W. J. Malden, ore-consolidating.  
 No. 22975.—Evans, Sons, Lescher, and Webb, Limited, turnip, &c., protector. (H. P. Lovatt.)  
 No. 22976.—R. J. Coomber, flaying-knife. (J. Coomber.)  
 No. 22984.—P. Borgnet, electrolytic apparatus.  
 No. 22986.—L. Simeon, bodkin.  
 No. 22989.—T. Sakauchi, Portland cement.  
 No. 23337.—A. H. Warmsley, gas-production from petrol.

#### THROUGH NON-PAYMENT OF THIRD-TERM FEES.

No. 17997.—D. Carlaw, sen., D. Carlaw, jun., and A. L. and J. W. Carlaw, printing and numbering machine.  
 No. 17999.—D. P. Davidson, milk-weighing-machine attachment.  
 No. 18015.—British Westinghouse Electric and Manufacturing Company, Limited, electric-current-collecting device. (J. T. Hunter—K. F. Elers.)

B

No. 18021.—F. T. Page, shackle.  
 No. 18029.—J. Arnold, washing-machine.  
 No. 19528.—United Shoe Machinery Company, boot-sole-dampening machine. (L. A. Casgrain.)

#### THROUGH EXPIRY OF TERM.

No. 9844.—J. H. Rosenthal, feed-water purifier.  
 No. 9854.—Consolidated and McKay Lasting Machine Company, lasting-machine. (S. W. Ladd and R. F. McFeely.)  
 No. 9855.—F. Wicks, type-founding apparatus.  
 No. 9869.—Acetylene Gas Company of Australasia, Limited, acetylene-generator. (W. T. Tree.)  
 No. 9875.—H. Sanche, dynamic-energy utilizing.

#### Alteration of Address of Proprietor of Letters Patent on Register.

NO. 27122.—L. A. Nicholls. Address and occupation altered from "Kyabram, Victoria, Clerk," to "King Island, Tasmania, Farmer."

#### Design expired.

THE copyright in the following design has expired:—

No. 299.—W. H. Brent. Class 1.

#### Applications for Trade Marks filed.

LIST of applications for registration of Trade Marks filed from the 1st to the 14th September, 1911, inclusive:—

No. 9891.—1st September.—C. Dahl and Co., Limited, Palmerston North, N.Z. Class 7.  
 No. 9892.—2nd September.—T. and S. Morrin, Limited, Auckland, N.Z. Class 7.  
 No. 9893.—4th September.—H. Cardwell and Sons, Limited, Manchester, Eng. Class 50.  
 No. 9894.—4th September.—W. Woodward, Limited, Nottingham, Eng. Class 3.  
 Nos. 9895 and 9896.—6th September.—M. H. Dodge, "Remington Arms—Union Metallic Cartridge Company," New York, U.S.A. Classes 19 and 20.  
 No. 9897.—7th September.—D. Sullivan, Helensville, N.Z. Class 3.  
 No. 9898.—7th September.—E. F. Hume, Dunedin, N.Z. Class 38.  
 No. 9899.—7th September.—F. N. R. Meadows, Wellington, N.Z. Class 42.  
 No. 9900.—9th September.—J. Burns Electro Plate Company, Limited, Wellington, N.Z. Class 50.  
 Nos. 9901, 9902, 9903, and 9904.—9th September.—N.Z. Farmers' Co-operative Association of Canterbury, Limited, Christchurch, N.Z. Classes 2, 7, 38, and 50.  
 No. 9905.—11th September.—Watson Bros., Limited, Palmerston North, N.Z. Class 47.  
 No. 9906.—11th September.—C. W. Clayton, Wanganui, N.Z. Class 38.  
 No. 9907.—11th September.—E. K. Skinner, New Plymouth, N.Z. Class 2.  
 Nos. 9908 and 9909.—12th September.—Aitchison, Steans, and Co., Christchurch, N.Z. Classes 12 and 50.  
 No. 9910.—12th September.—Mono Service Vessels, Limited, London, Eng. Class 39.  
 No. 9911.—12th September.—Dick, Kerr, and Co., Limited, London, Eng. Class 13.  
 No. 9912.—12th September.—A. Bird and Sons, Limited, Birmingham, Eng. Class 42.  
 No. 9913.—12th September.—Wall Paper Manufacturers, Limited, Darwin, Eng. Class 1.  
 No. 9914.—12th September.—C. J. Van Houten and Zoon, Weesp, Holl. Class 42.  
 No. 9915.—14th September.—Tillie and Henderson, Limited, Glasgow, Scot; London, Eng; and Londonderry Ireland. Class 38.  
 No. 9916.—14th September.—E. J. Wood, Wednesfield, Eng. Class 6.  
 No. 9917.—14th September.—Lovell Manufacturing Company, Erie, U.S.A. Class 6.  
 No. 9918.—14th September.—F. Gough, Hokitika, N.Z. Class 3.

**Applications for Registration of Trade Marks.**

Patent Office,

Wellington, 14th September, 1911.

**A** PPLICATIONS for registration of the following Trade Marks have been received. Notice of opposition to the registration of any of these applications may be lodged at this office within two months of the date of this *Gazette*. Such notice must be in duplicate, and accompanied by a fee of £1.

No. of application : 9353.  
Date : 1st February, 1911.

TRADE MARK.

**CAMELATA**

NAME.

F. REDDAWAY AND Co., LIMITED, of Victoria Mills, Cheltenham Street, Pendleton, Manchester, in the County of Lancaster, England, Manufacturers.

No. of class : 25.  
Description of goods : Machinery carrying and driving belts in which cotton is the predominating material.

No. of application : 9467.  
Date : 14th March, 1911.

TRADE MARK.

The word

**DEXTER.**

NAME.

WALLACE, SCOTT, AND Co., LIMITED, of 27 Cadogan Street, Glasgow, Scotland, Woollen-warehousemen.

No. of class : 34.  
Description of goods : Cloths and stuffs of wool, worsted, or hair.

No. of application : 9675.  
Date : 2nd June, 1911.

TRADE MARK.

The words

**ROYAL CAKEMAKER.**

The essential particular of this trade mark is the word "Royal"; and any right to the exclusive use of the word "Cakemaker" is disclaimed.

NAME.

THE EMPIRE MANUFACTURING COMPANY, LIMITED, of Broadway Terrace, Wellington, in the Dominion of New Zealand, General Manufacturers.

No. of class : 42.  
Description of goods : Cakemaking-composition.

No. of application : 9679.  
Date : 6th June, 1911.

TRADE MARK.



The essential particular of this mark is the device, which includes the border and the ash-leaf; and any right to the exclusive use of the added matter is disclaimed.

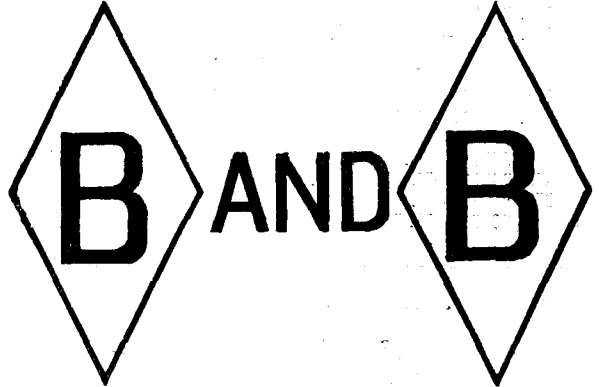
NAME.

CLAUDIUS ASH, SONS, AND Co., LIMITED, of 5 to 12 Broad Street, Golden Square, London, England, Manufacturers.

No. of class : 11.  
Description of goods : Dental apparatus and dental goods included in Class 11.

No. of application : 9807.  
Date : 3rd August, 1911.

TRADE MARK



The essential particular of this trade mark is the device; and any right to the exclusive use of the added matter is disclaimed.

NAME.

BOND AND BELL, of Commerce Street, Auckland, in the Dominion of New Zealand, Merchants.

No. of class : 2.  
Description of goods : All artificial manures used for agricultural purposes.

No. of application : 9823.  
Date : 14th August, 1911.

TRADE MARK.



HIGHLANDER

NAME.

MURRAYS LIMITED, of Invercargill, in the Dominion of New Zealand, Milk-condensers.

No. of class : 42.  
Description of goods : Butter, cheese, preserved milk, and all dairy-produce.

[NOTE.—This mark is regazetted on account of a clerical error in the former notice.]

No. of application : 9831.  
Date : 15th August, 1911.

TRADE MARK.



**TURPENTINE**

The essential particulars of this trade mark are the device and the word "Imperial"; and any right to the exclusive use of the added matter is disclaimed.

NAME.

THE IMPERIAL EXPORT COMPANY, LIMITED, of Toronto, Canada, whose registered office in New Zealand is at Garlick's Buildings, Fort Street, Auckland.

No. of class: 4.  
Description of goods: Turpentine.

No. of application: 9841.  
Date: 17th August, 1911.

TRADE MARK.



The essential particulars of this trade mark are the distinctive mark and invented word "Fotol."

NAME.

ENOS S. PEGLER, "Auckland Camera Company," of 91 Karangahape Road, Auckland, in the Dominion of New Zealand.

No. of class: 1.  
Description of goods: Photographic solutions, chemicals, &c., included in this class.

No. of application: 9866.  
Date: 26th August, 1911.

TRADE MARK.

The word

**HOMESTEAD.**

The essential particular of this trade mark is the word "Homestead."

NAME.

LAILAW LEEDS, of Auckland, in the Dominion of New Zealand, Merchants.

No. of class: 42.  
Description of goods: Tea, pickles, sauces, vinegar, and other goods included in this class.

No. of application: 9870.  
Date: 26th August, 1911.

TRADE MARK.



The essential particular of this trade mark is the word "Nervine"; and any right to the exclusive use of the added matter is disclaimed.

The applicants claim that the said trade mark has been used by them and their predecessors in business in respect of the article mentioned for twenty-three years at least.

NAME.

THE BARRACLOUGH HERBAL PROPRIETARY, of 13 Myrtle Crescent, Wellington, in the Dominion of New Zealand, Manufacturers of Herbal Remedies.

No. of class: 3.  
Description of goods: Toothache-cures.

No. of application: 9871.  
Date: 28th August, 1911.

TRADE MARK.

The word

**DOT.**

The essential particular of this trade mark is the word "Dot."

NAME.

JOSEPH DRAYTON ROBERTS, of Customs and Fort Streets, Auckland, in the Dominion of New Zealand.

No. of class: 8.  
Description of goods: Metallic-filament electric lamps.

No. of application: 9878.  
Date: 29th August, 1911.

TRADE MARK.



The essential particular of this trade mark is the combination of devices; and any right to the added matter, excepting the name "Lever," is disclaimed.

NAME.

LEVER BROTHERS, LIMITED, of Balmain, State of New South Wales, Commonwealth of Australia, Manufacturers.

No. of class: 48.  
Description of goods: Perfumed soap, perfumery, and glycerine for toilet purposes.

No. of application: 9882.  
Date: 30th August, 1911.

TRADE MARK.



The essential particular of this trade mark is as follows—the distinctive mark.

NAME.

THE "MAX" MILKING MACHINE COMPANY, LIMITED, of 12 Helmerhus, Copenhagen, Denmark, Manufacturers.

No. of class: 7.

Description of goods: Milking-machines.

No. of application: 9883.  
Date: 30th August, 1911.

TRADE MARK.

NON-FILLING. LONG LASTING.



THE OFFICE APPLIANCE CO.,  
WELLINGTON, N.Z.

The essential particular of this trade mark is the distinctive label.

NAME.

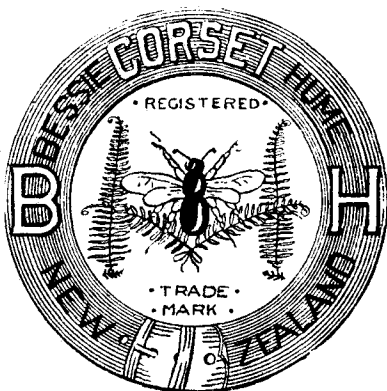
THE OFFICE APPLIANCE COMPANY, of 17 and 19 Cuba Street, Wellington, in the Dominion of New Zealand.

No. of class: 39.

Description of goods: Typewriter-ribbons.

No. of application: 9898.  
Date: 7th September, 1911.

TRADE MARK.



The essential particulars of this trade mark are the general design, the representation of fern-leaves, and a bee surrounded by a band; and any right to the exclusive use of the added matter is disclaimed.

NAME.

ELIZABETH FERGUSSON HUME, of 10 Regent Road, Dunedin, in the Dominion of New Zealand, Spinster.

No. of class: 38.

Description of goods: Corsets.

No. of application: 9899.  
Date: 7th September, 1911.

TRADE MARK.

The word

ACME.

NAME.

F. N. R. MEADOWS, of Stout Street, Wellington, in the Dominion of New Zealand, Produce-merchant.

No. of class: 42.

Description of goods: Butter, cheese, hams, bacon, and lard.

No. of application: 9907.  
Date: 11th September, 1911.

TRADE MARK.

The word

MAMMITEIN.

The essential particular of this trade mark is the invented word "Mammitein."

NAME.

ERNEST KINGWELL SKINNER, of New Plymouth, in the Dominion of New Zealand, Farmer.

No. of class: 2.

Description of goods: Cattle-medicines.

No. of application: 9908.  
Date: 12th September, 1911.

TRADE MARK.

The word

KRAUSS.

NAME.

AITCHISON, STEANS, AND Co., of 123 Lichfield Street, Christchurch, in the Dominion of New Zealand, Importers.

No. of class: 12.

Description of goods: Cutlery and edge tools.

No. of application: 9909.  
Date: 12th September, 1911.

TRADE MARK.

The word

REE-NU-ORL.

NAME.

AITCHISON, STEANS, AND Co., of 123 Lichfield Street, Christchurch, in the Dominion of New Zealand, Importers.

No. of class: 50.

Description of goods: Furniture-cream and plate-powder.

No. of application: 9914.  
Date: 12th September, 1911.

TRADE MARK.

VAN HOUTEN'S RONA

NAME.

C. J. VAN HOUTEN AND ZOON, of Weesp, Holland, Manufacturers.

No. of class: 42.  
Description of goods: Cocoa, chocolate, and any manufacture of cocoa.

No. of application: 9910.  
Date: 12th September, 1911.

TRADE MARK.

The word

**MONO.**

NAME.

MONO SERVICE VESSELS, LIMITED, of 58 Coleman Street, London, England, Manufacturers.

No. of class: 39.  
Description of goods: Paper vessels.

No. of application: 9911.  
Date: 12th September, 1911.

TRADE MARK.



NAME.

DICK, KERR, AND Co., LIMITED, of 3 Abchurch Yard, London E.C., England, Electrical Engineers and Contractors.

No. of class: 13.  
Description of goods: Electric lamps (ordinary) made in the United Kingdom.

J. C. LEWIS,  
Registrar.

Trade Marks registered.

LIST of Trade Marks registered from the 1st to the 14th September, 1911, inclusive:—  
No. 7682/9482.—Caldwell's Inks Proprietary, Limited. Class 50. (*Gazette* No. 46, of the 1st June.)  
No. 7683/9665.—I. K. Ngawaka and Co. Class 3. (*Gazette* No. 50, of the 15th June.)  
No. 7684/8092.—Cowie and Co. Class 43. (*Gazette* No. 66, of the 12th August, 1909.)  
No. 7685/9251.—A/S Hurum Fabriker. Class 50(1). (*Gazette* No. 53, of the 29th June.)  
Nos. 7686/9680 and 7687/9681.—Southall Bros. and Barclay, Limited. Classes 3 and 42. (*Gazette* No. 53, of the 29th June.)  
No. 7688/9685.—Westminster Tobacco Company, Limited. Class 45. (*Gazette* No. 53, of the 29th June.)  
No. 7689/9686.—Maspero Freres, Limited. Class 45. (*Gazette* No. 53, of the 29th June.)  
No. 7690/9714.—Jackson and Macdonald. Class 8. (*Gazette* No. 53, of the 29th June.)  
No. 7691/9715.—J. Baillie. Class 2. (*Gazette* No. 53, of the 29th June.)  
No. 7692/9721.—Kabo Corset Company. Class 38. (*Gazette* No. 53, of the 29th June.)

No. 7693/9723.—Holzapfels Limited. Class 50. (*Gazette* No. 53, of the 29th June.)  
No. 7694/9724.—Marshall's Proprietary Company, Limited. Class 2. (*Gazette* No. 53, of the 29th June.)  
No. 7695/9446.—Langguth and Co. Class 42. (*Gazette* No. 53, of the 29th June.)  
No. 7696/9648.—W. Barnett. Class 3. (*Gazette* No. 53, of the 29th June.)  
Nos. 7697/9570, 7699/9572, and 7701/9574.—Lever Bros., Limited. Class 47. (*Gazette* No. 37, of the 4th May.)  
Nos. 7698/9571, 7700/9573, and 7702/9575.—Lever Bros., Limited. Class 48. (*Gazette* No. 37, of the 4th May.)  
Nos. 7703/8988, 7704/8989, 7705/8990, 7706/8991, and 7707/8992.—P. Hayman and Co. Class 45. (*Gazette* No. 86, of the 22nd September, 1910.)  
No. 7708/9559.—P. Hayman and Co. Class 50. (*Gazette* No. 33, of the 20th April.)  
No. 7709/9499.—A. Choqueel. Class 45. (*Gazette* No. 53, of the 29th June.)  
No. 7710/9672.—F. N. R. Meadows. Class 42. (*Gazette* No. 50, of the 15th June.)  
No. 7711/9673.—F. N. R. Meadows. Class 42. (*Gazette* No. 53, of the 29th June.)  
No. 7712/8971.—J. McLaren. Class 37. (*Gazette* No. 83, of the 8th September, 1910.)  
No. 7713/9621.—A. H. Korth. Class 17. (*Gazette* No. 58, of the 13th July.)  
No. 7714/9726.—Locke, Blackett, and Co., Limited. Class 1. (*Gazette* No. 58, of the 13th July.)

Subsequent Proprietors of Trade Marks registered.

[NOTE.—The name of the former proprietor is given in brackets; the date is that of registration.]

No. 8565/7300.—Hill and Plummer, Limited, of Auckland, New Zealand. Oil, Colour, and Glass Merchants. (J. C. Wilson.) 1st September, 1911.

Trade Mark Renewal Fees paid.

FEES paid for the renewal of the undermentioned Trade Marks for fourteen years from the date first mentioned:—

Nos. 2114/1700 and 2115/1701.—7th September, 1911.—J. Braithwaite, Dunedin, N.Z. 7th September, 1911.  
No. 2144/1713.—21st September, 1911.—Robertson, Sanderson, and Co., Limited, Leith, Scot. 7th September, 1911.  
No. 2145/1716.—21st September, 1911.—W. and G. Turnbull, and Co., Wellington, N.Z. 4th September, 1911.

Application for Restoration of Trade Marks to the Register.

APPLICATION has been made for the restoration to the Register of the following Trade Mark, the entry of which has been cancelled owing to the non-payment of the renewal fee, payment of which, it is stated, was inadvertently overlooked by the proprietors:—

No. 83/2096.—Clark and Co., Limited, of Paisley, Scotland. (Clark and Co.) (Advertised in *New Zealand Gazette* No. 44, of the 25th May, 1883.)

Trade Marks removed from the Register.

TRADE Marks removed from the Register owing to the non-payment of the renewal fee, from the 1st to the 14th September 1911, inclusive:—

Nos. 2018/1843 and 2019/1704.—9th June, 1897.—A. Durie and Co., Dunedin, N.Z. Class 42.  
No. 2024/1623.—14th June, 1897.—The Springfield Cycle Company, Limited, Sandiacre, Eng. Class 22.

Alteration of Address of Proprietor of Trade Mark on Register.

No. 8943/7082.—L. A. Nicholls. Address and occupation altered from "Kyabram, Victoria, Clerk," to "King Island, Tasmania, Farmer."

**Applications for Trade Marks refused.**

THE following applications for Trade Marks have been refused:—

No. 8795.—R. I. Clark and Co., Limited. (Advertised in Supplement to *New Zealand Gazette*, No. 69, of the 14th July, 1910.)

No. 8799.—S. J. Best and Co. (Advertised in Supplement to *New Zealand Gazette*, No. 66, of the 30th June, 1910.)

**Applications for Trade Marks abandoned or refused.**

LIST of applications for registration of Trade Marks abandoned or refused from the 15th July to the 6th September, 1911, inclusive:—

No. 8558.—15th February, 1910.—W. H. Smith and Son, of London, Eng. Class 39.

No. 8725.—12th May, 1910.—Bray Bros., of Wellington, N.Z. Class 42.

No. 8729.—13th May, 1910.—Gilmour and Bardsley, of Wellington, N.Z. Class 50.

No. 8746.—19th May, 1910.—Ormiston Bros., Limited, of Auckland, N.Z. Class 37.

No. 8779.—31st May, 1910.—The Gramophone Company, Limited, of London, Eng. Class 8.

No. 8820.—18th June, 1910.—F. N. R. Meadows, of Wellington, N.Z. Class 42.

No. 8846.—29th June, 1910.—George Street Ironmongery Company, of Dunedin, N.Z. Class 12.

No. 8866.—1st July, 1910.—A. G. Healing and Co., of Christchurch, N.Z. Class 40.

No. 8867.—9th July, 1910.—A. G. Healing and Co., of Christchurch, N.Z. Class 40.

No. 8882.—16th July, 1910.—The George Street Ironmongery Company, of Dunedin, N.Z. Class 14.

No. 8902.—26th July, 1910.—Christ. Thomas and Bros., Limited, of Bristol, Eng. Class 47.

No. 8904.—26th July, 1910.—The Linde British Refrigeration Company, Limited, of London, Eng. Class 6.

No. 8915.—28th July, 1910.—E. Ellingham and Co., Limited, of Auckland, N.Z. Class 47.

No. 8920.—30th July, 1910.—Spencer Vincent, of Christchurch, N.Z. Class 3.

No. 8924.—2nd August, 1910.—Waight and Sons, of Roxburgh, N.Z. Class 42.

No. 8950.—17th August, 1910.—Langdown and Son, Limited, of Christchurch, N.Z. Class 42.

No. 8955.—18th August, 1910.—H. P. Swan, of Dannevirke, N.Z. Class 50.

No. 8964.—26th August, 1910.—Hutchinson Bros., Limited, of Auckland, N.Z. Class 3.

No. 8967.—29th August, 1910.—Tylden and Spiers, of Auckland, N.Z. Class —.

No. 9263.—29th December, 1910.—C. Leethem and Co., of Portsmouth, Eng. Class 38.

No. 9585.—6th April, 1911.—The Sydney Soap and Candle Company, Limited, of Sydney, N.S.W. Class 48.

By Authority: JOHN MACKAY, Government Printer, Wellington.

# ILLUSTRATIONS OF INVENTIONS.

[These illustrations refer to the complete specifications accepted, and advertised in this Gazette.]

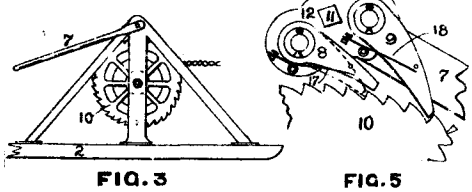
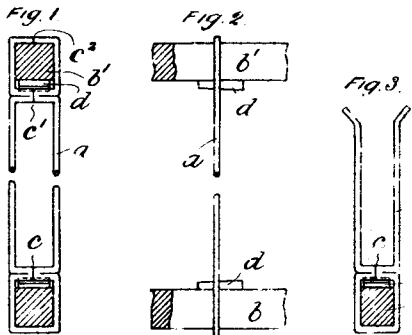


FIG. 3

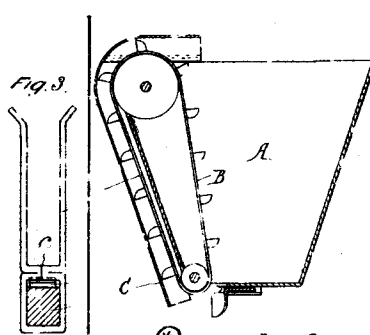
FIG. 5



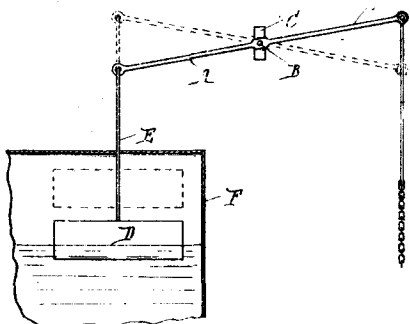
Stump-pulling apparatus.  
G. H. F. W. Philpot. 28335.



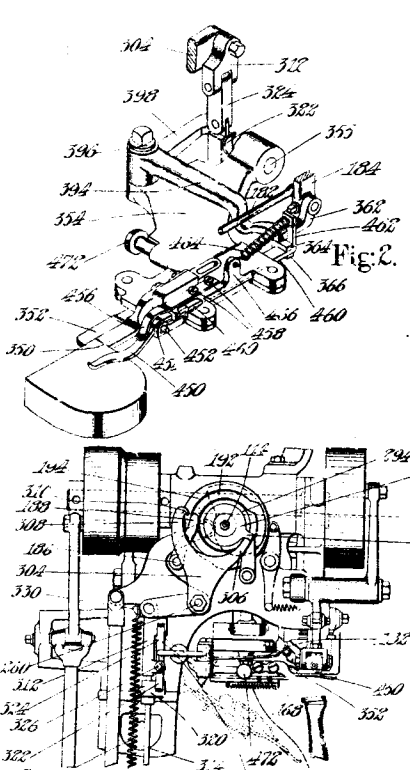
Bonding stirrup & tiebar. Wilson.  
28552.



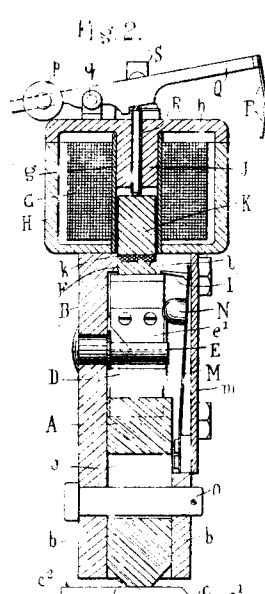
Potato-planter.  
Ballour. 28550.



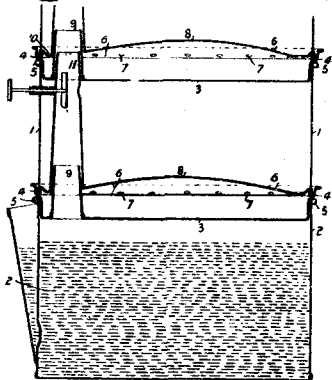
Windmill controller. Voss. 28673.



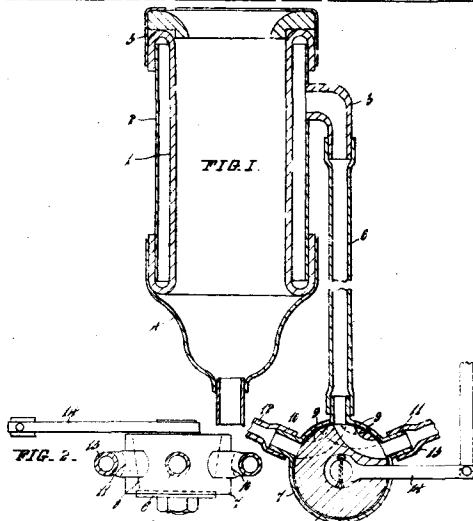
Gaster inserter. United Shoe  
Machinery Co<sup>y</sup> (Casgrain) 28707



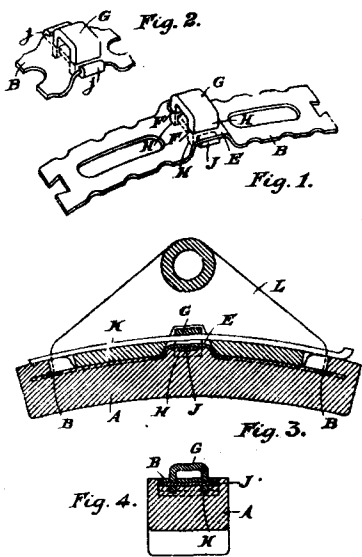
Railway locking  
mechanism. W. R. Sykes  
Interlocking Signal Co<sup>y</sup> Ltd.  
Tarrant & McKenzie  
and Holland L<sup>td</sup>. 29918.



Steam cooker. Everton. 29844.



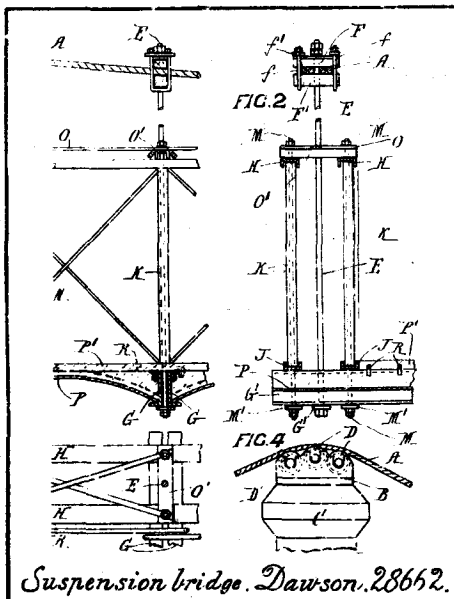
Milking machine.  
The Dominion Pressure Milking  
Machine Co<sup>y</sup> Ltd (Higgins) 27413



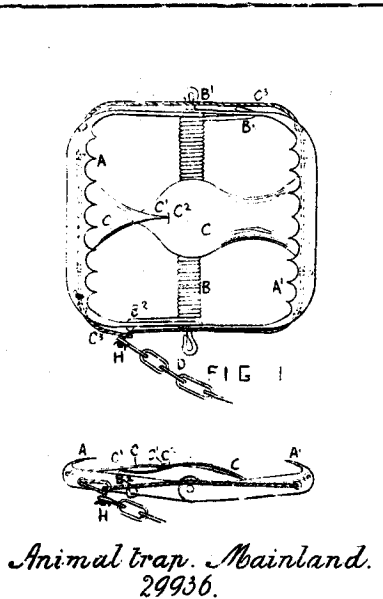
Brakeblock. Panton. 28413



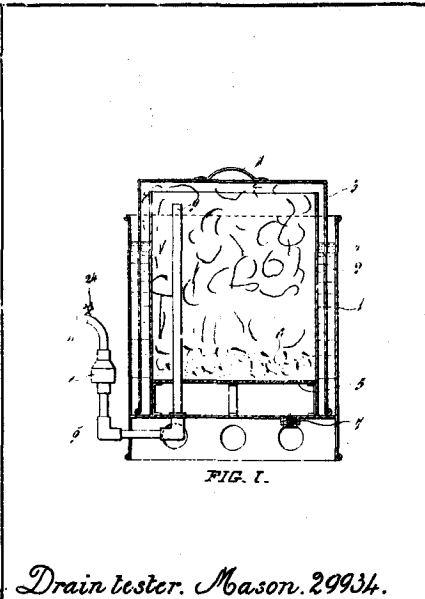
Ear-plate. Lowman.  
29910.



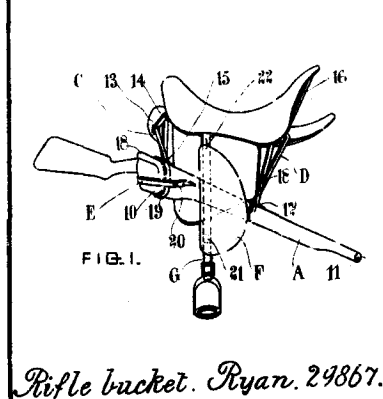
Suspension bridge. Dawson. 28662.



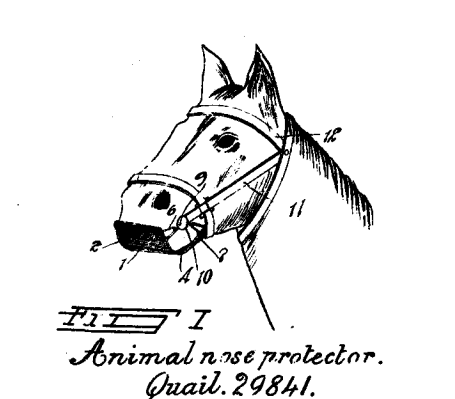
Animal trap. Mainland. 29936.



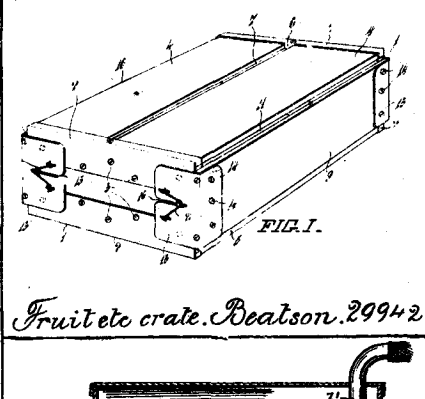
Drain tester. Mason. 29934.



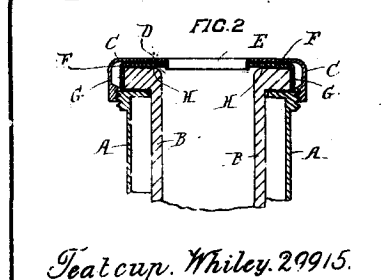
Rifle bucket. Ryan. 29867.



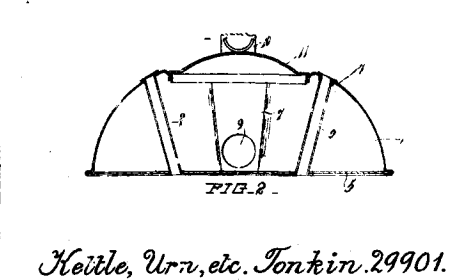
Animal nose protector. Quail. 29841.



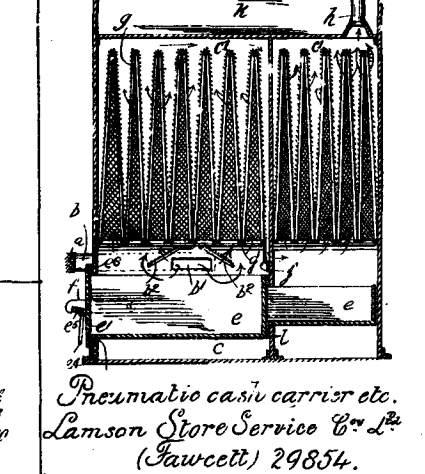
Fruit etc crate. Reatson. 29942.



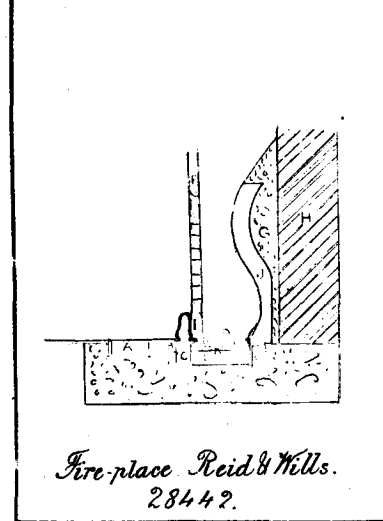
Teat cup. Whiley. 29915.



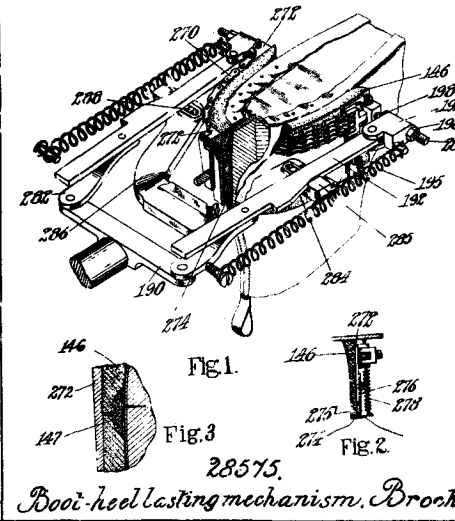
Kettle, Urn, etc. Tonkin. 29901.



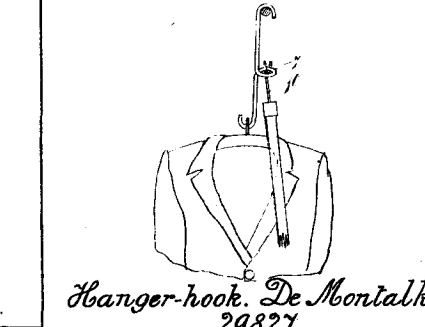
Pneumatic carrier etc. Lamson Store Service Co. Ltd. (Fawcett) 29854.



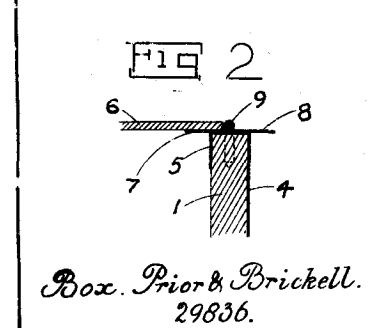
Fire-place Reid & Mills. 28442.



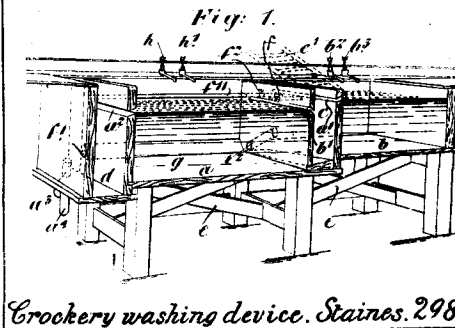
Boot-heel lasting mechanism. Brock. 28575.



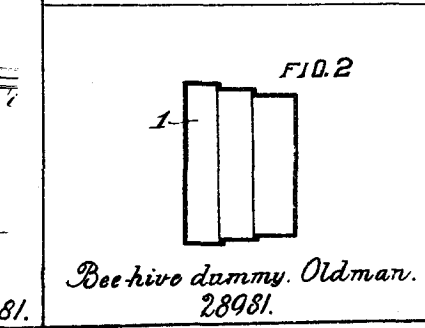
Hanger-hook. De Montalk. 29827.



Box. Prior & Brickell. 29836.

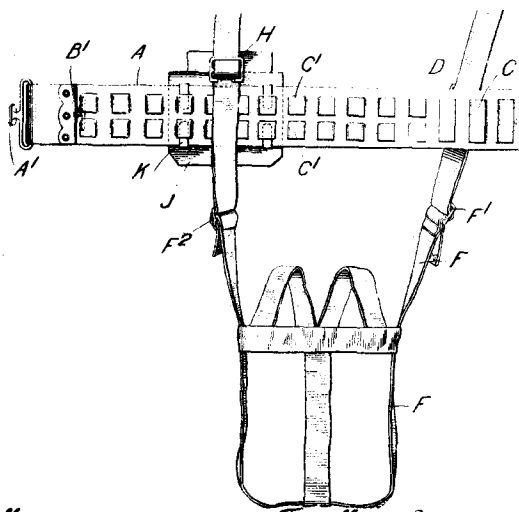


Crockery washing device. Staines. 29881.

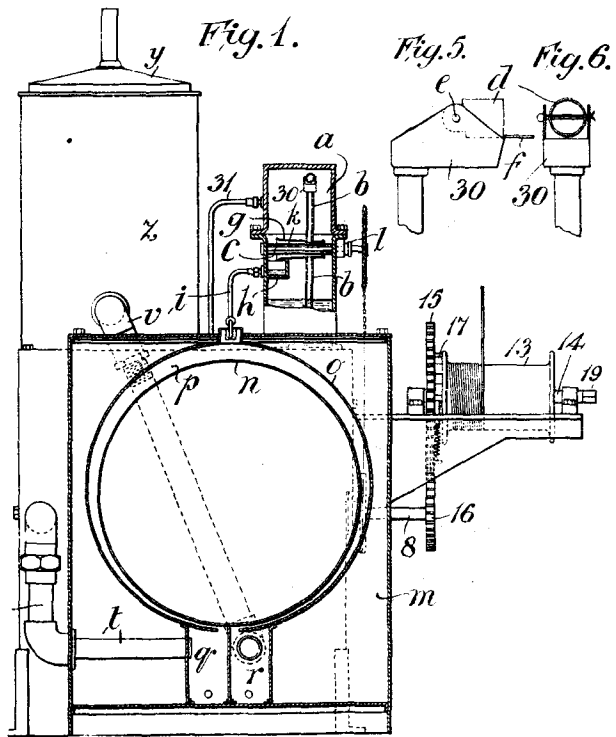


Bee-hive dummy. Oldman. 28981.

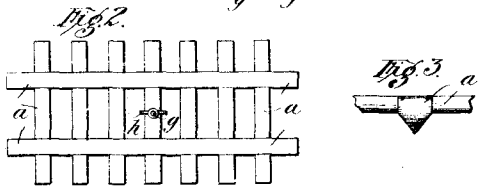
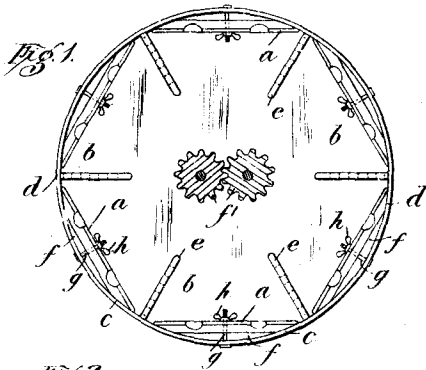




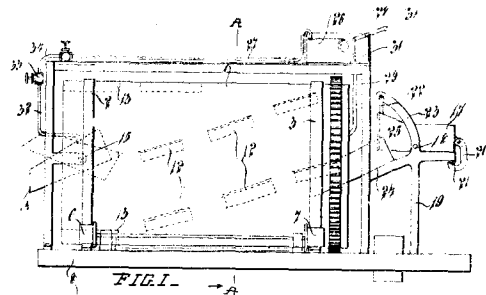
Military equipment. The Mills Equipment  
By L<sup>rd</sup> (Wise) 29917.



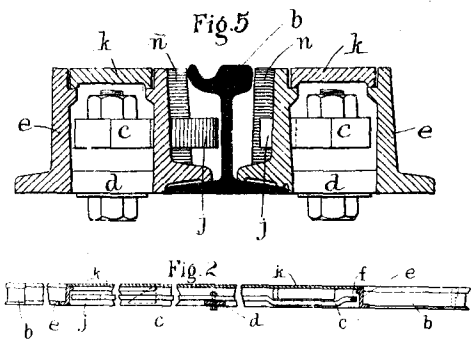
Petroi gas generator. Newman & Henderson. 29925.



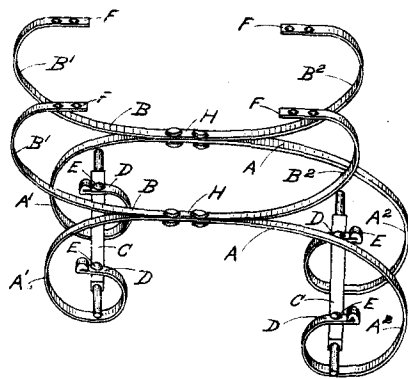
Churn etc. Hariman. 29928.



Concrete mixer. Tong. 29925.



Tramway-track point. Bellve & Potts. 28528.



Perambulator spring. Thompson. 29920.

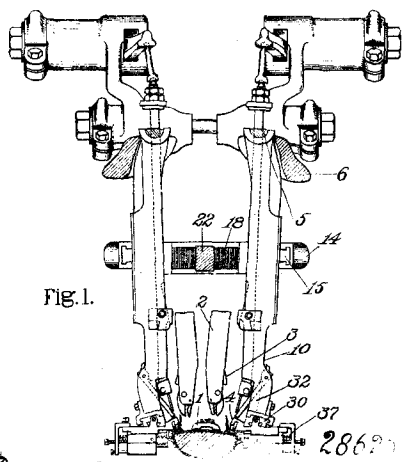


FIG. 1.

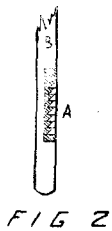
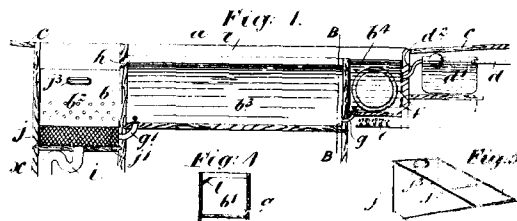


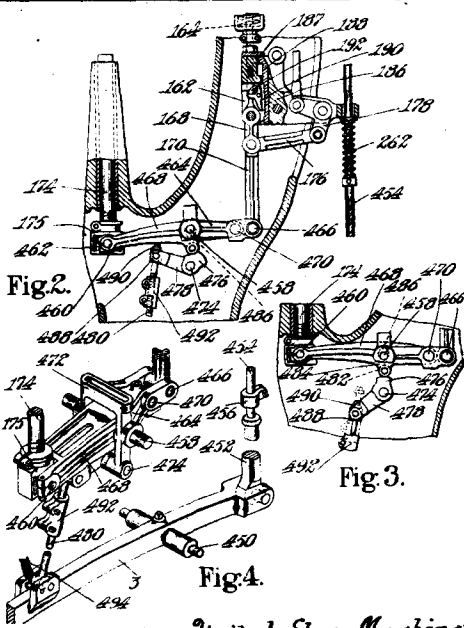
FIG 2

Pencil sharpener,  
Garson Jun<sup>r</sup>  
& Hardie  
29932.

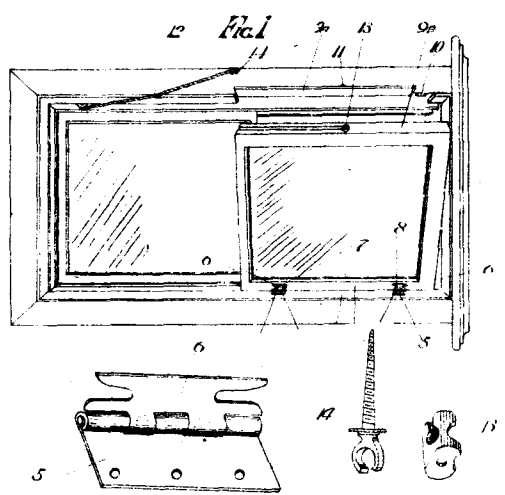


Sink Staves 29880.

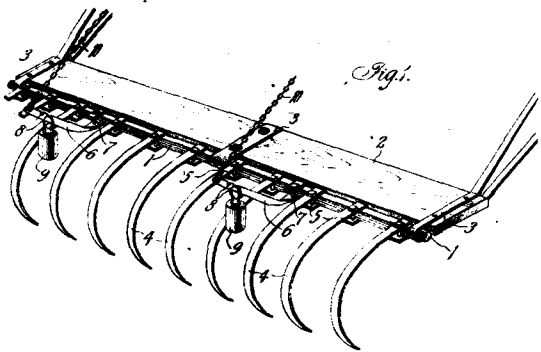
Boot and shoe machine. United  
Shoe Machinery Co<sup>y</sup> (Brothers)



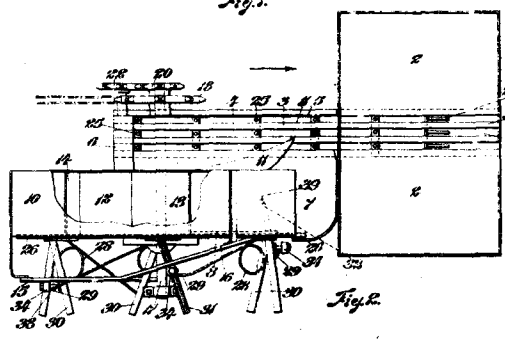
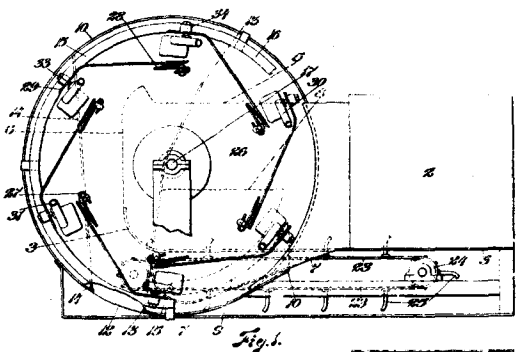
Fastener inserter. United Shoe Machinery Co. (Goddu) 28710.



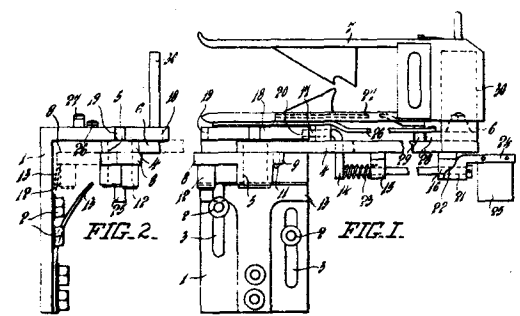
Window hanging etc. Cameron. 28524.



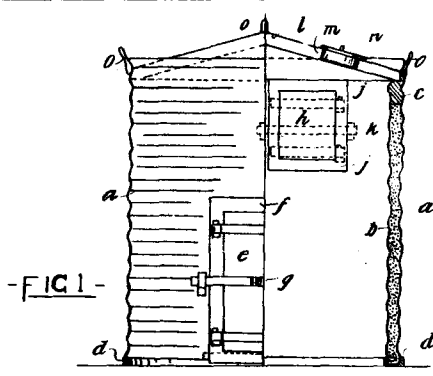
Cultivator attachment. Fraser. 29891.



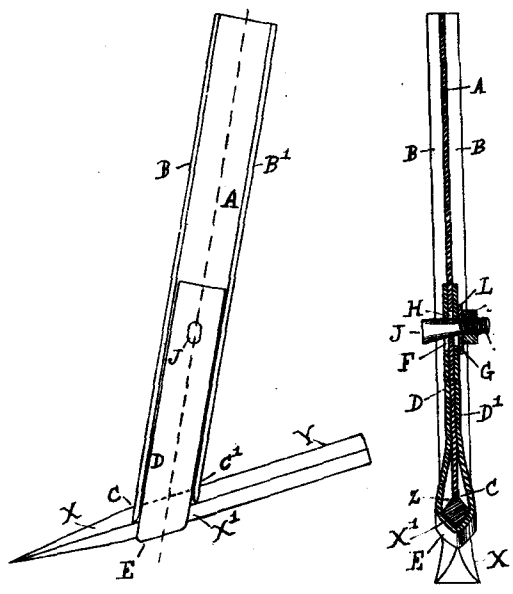
Potato planter. Wall. 29892.



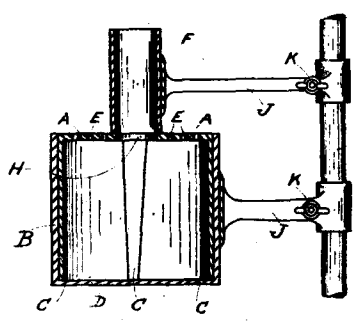
Tablet exchange apparatus. Roberts' 28734.



Charcoal burner casing & cover. Carr. 29812.



Fine clip. Douglas. 29930.



Lamp. McLeod. 29833.